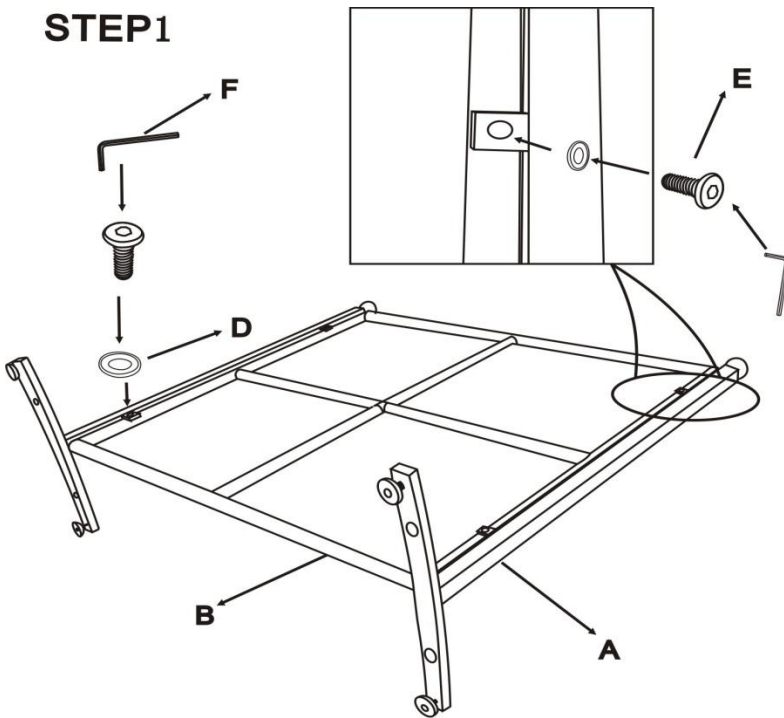
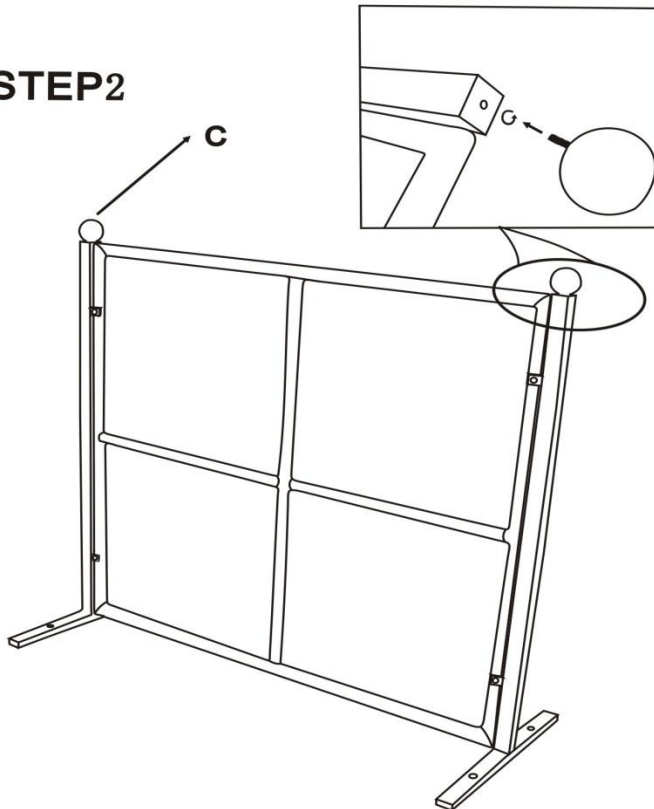








## Wicker Partition Assembly Instructions

### STEP 1



### STEP 2



NO.	PART	Q'TY
A		2
B		1
C		2
D		4
E		4
F		1