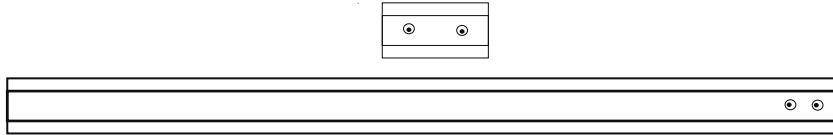


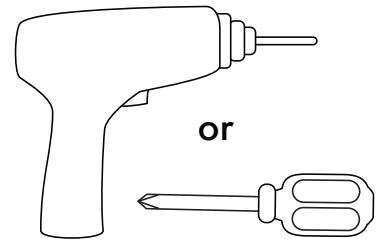
# HUSH PANEL

(WALL-MOUNT)

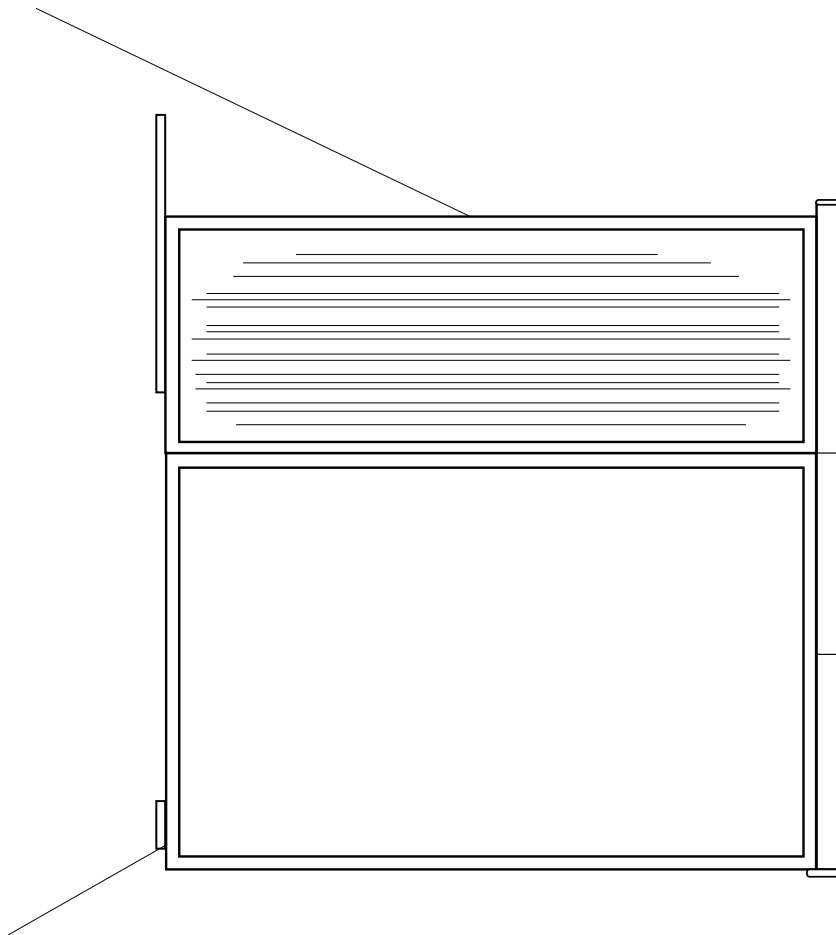
**Note:** You will need to purchase the appropriate hardware for your wall conditions.  
Anchors not included.



**Box Contents**



**Recommended Tools**



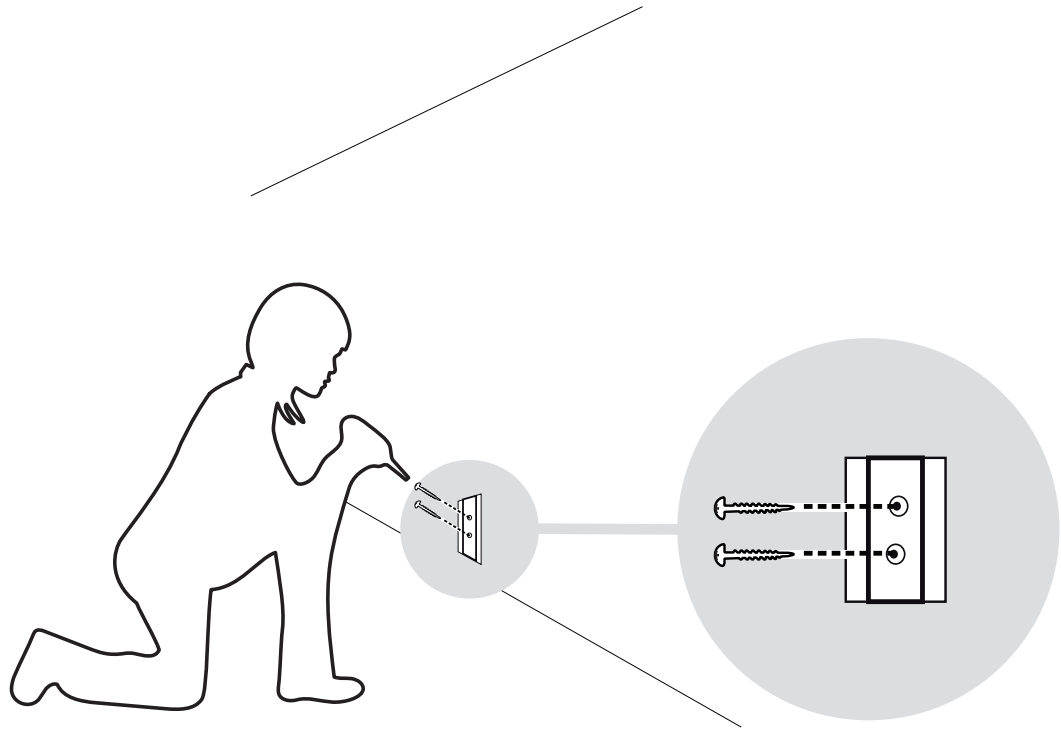
P: 1.800.830.0210  
F: 1.800.310.4874

**VERSARE**  
www.versare.com

3236 California St. NE  
Minneapolis, MN 55418

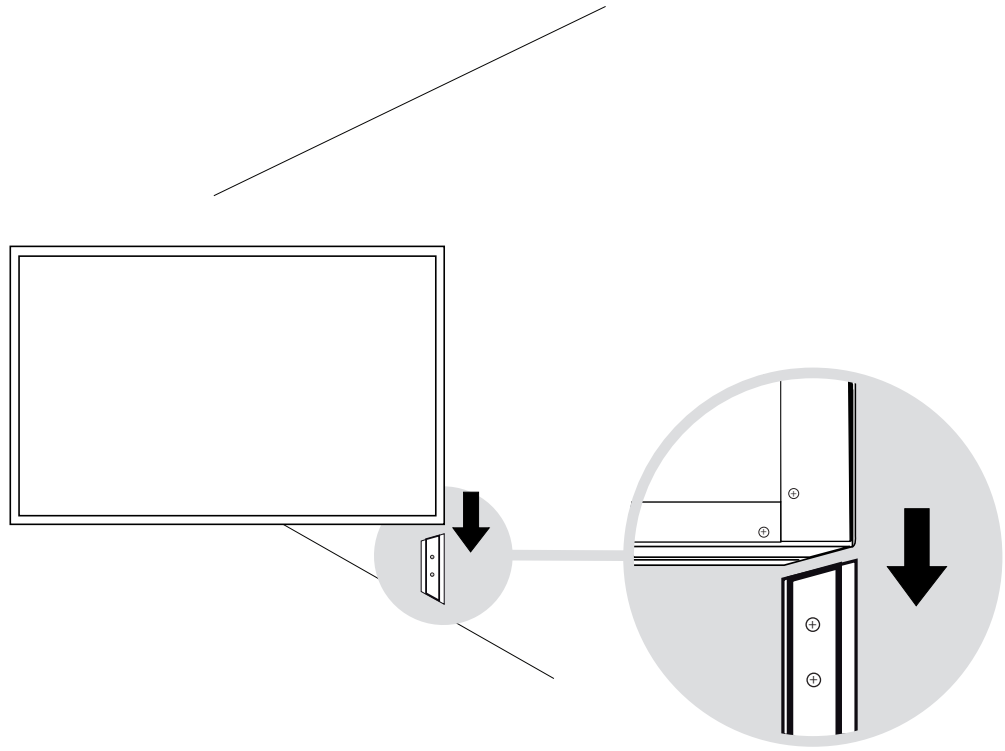
1

SCREW BOTTOM BRACKET INTO DESIRED LOCATION.



2

SLIDE ACOUSTICAL PANEL INTO BOTTOM WALL MOUNT BRACKET.



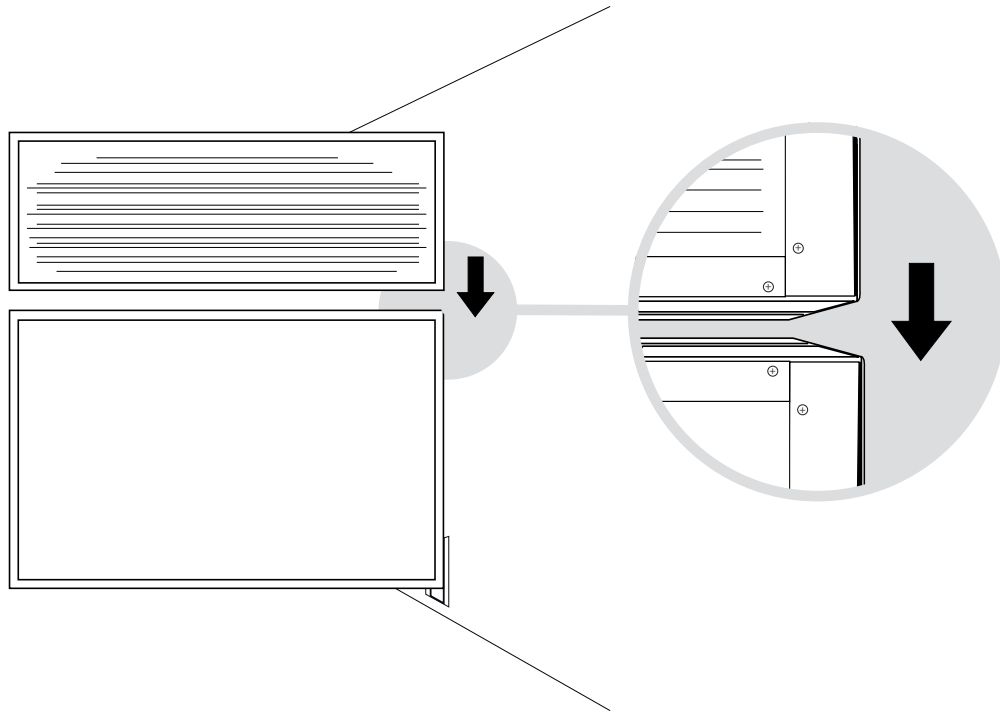
P: 1.800.830.0210  
F: 1.800.310.4874

**VERSARE**  
www.versare.com

3236 California St. NE  
Minneapolis, MN 55418

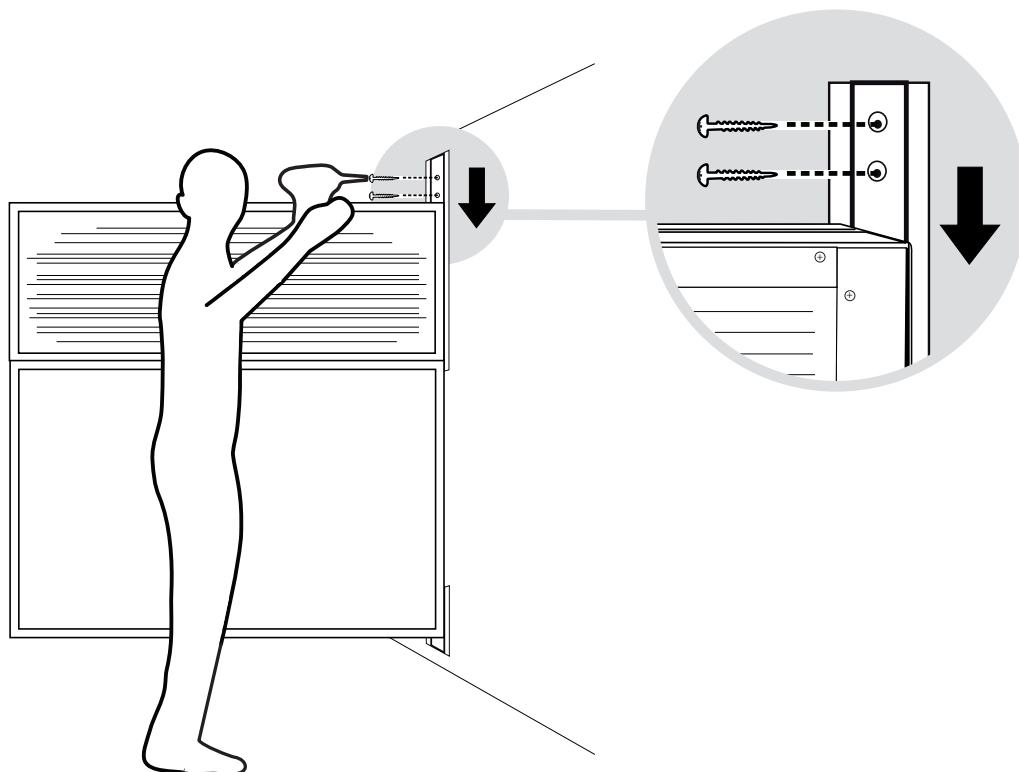
3

PLACE WINDOW AND GENTLY BALANCE ON TOP OF ACOUSTICAL PANEL.



4

SLIDE DOWN TOP BRACKET AND SCREW INTO WALL.



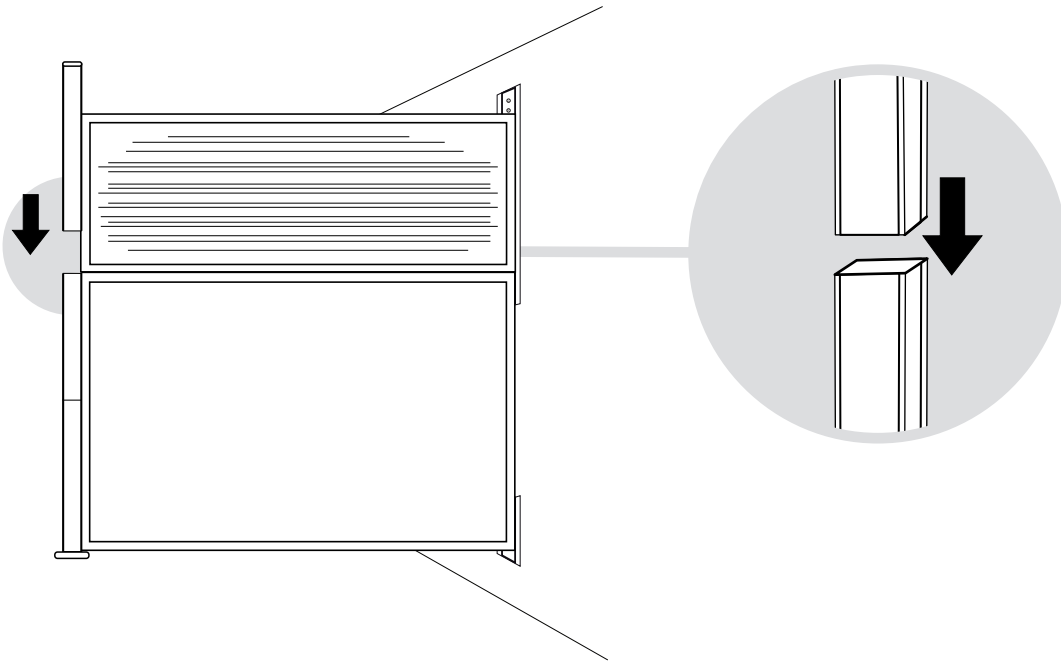
P: 1.800.830.0210  
F: 1.800.310.4874

**VERSARE**  
www.versare.com

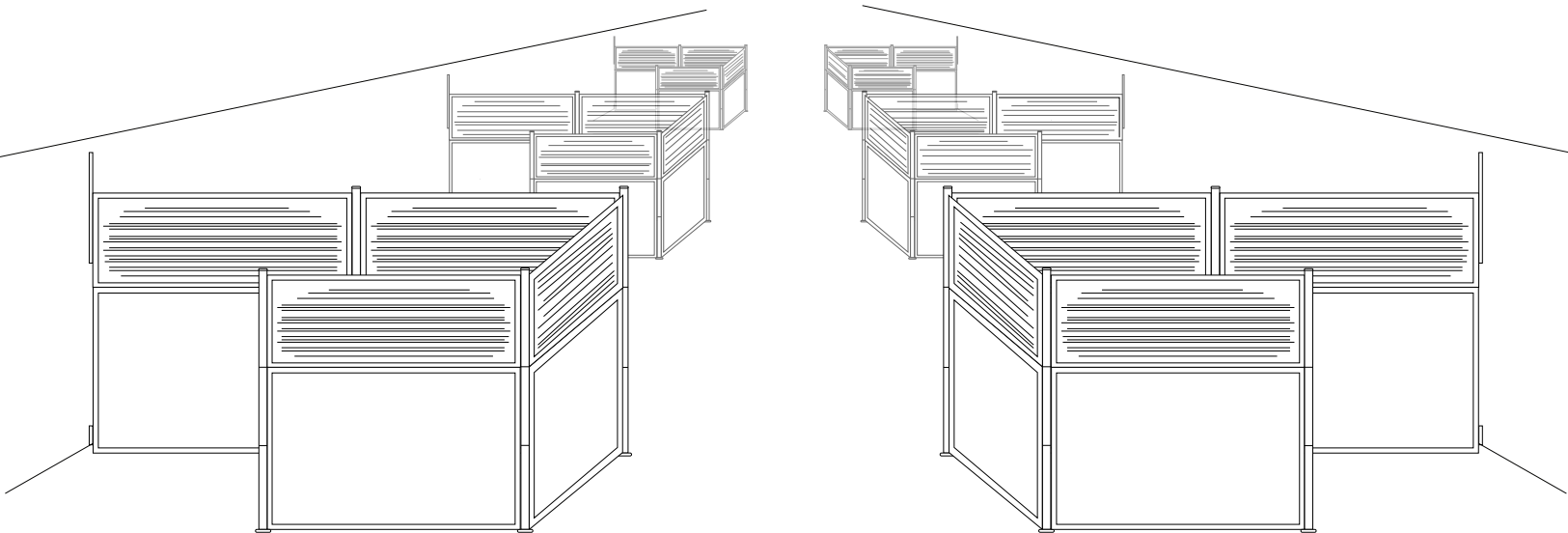
3236 California St. NE  
Minneapolis, MN 55418

5

FINALLY, SLIDE IN END POSTS & ADD ON FOR DESIRED LAYOUT.



## FIND YOUR PERFECT SOLUTION



P: 1.800.830.0210  
F: 1.800.310.4874

**VERSARE**  
www.versare.com

3236 California St. NE  
Minneapolis, MN 55418