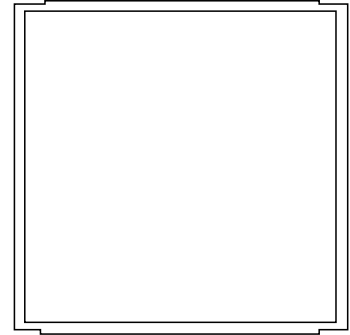
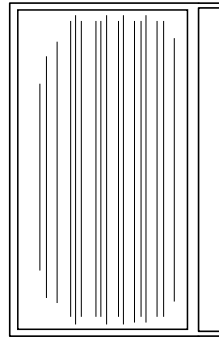
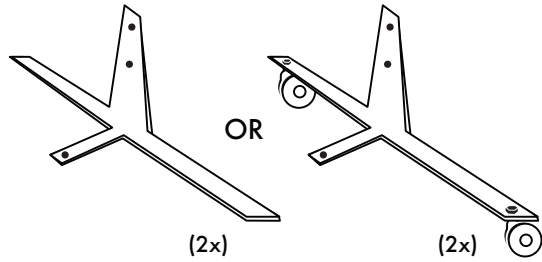
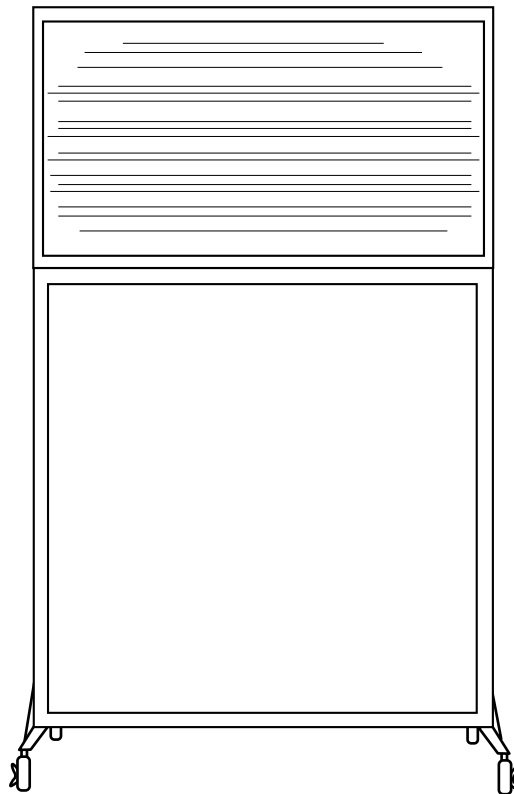


HUSH SCREEN



Box Contents - No Tools Necessary



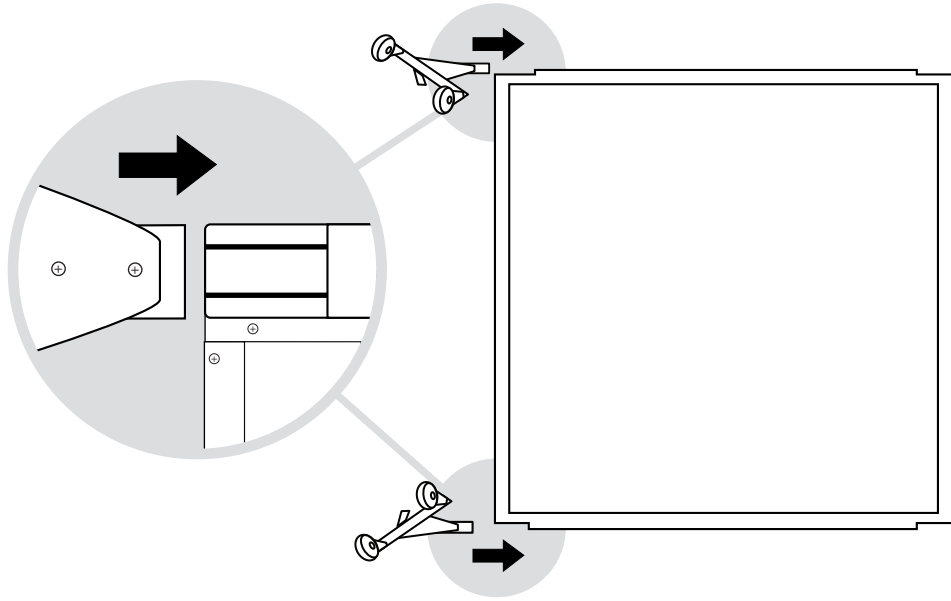
P: 1.800.830.0210
F: 1.800.310.4874

VERSARE
www.versare.com

3236 California St. NE
Minneapolis, MN 55418

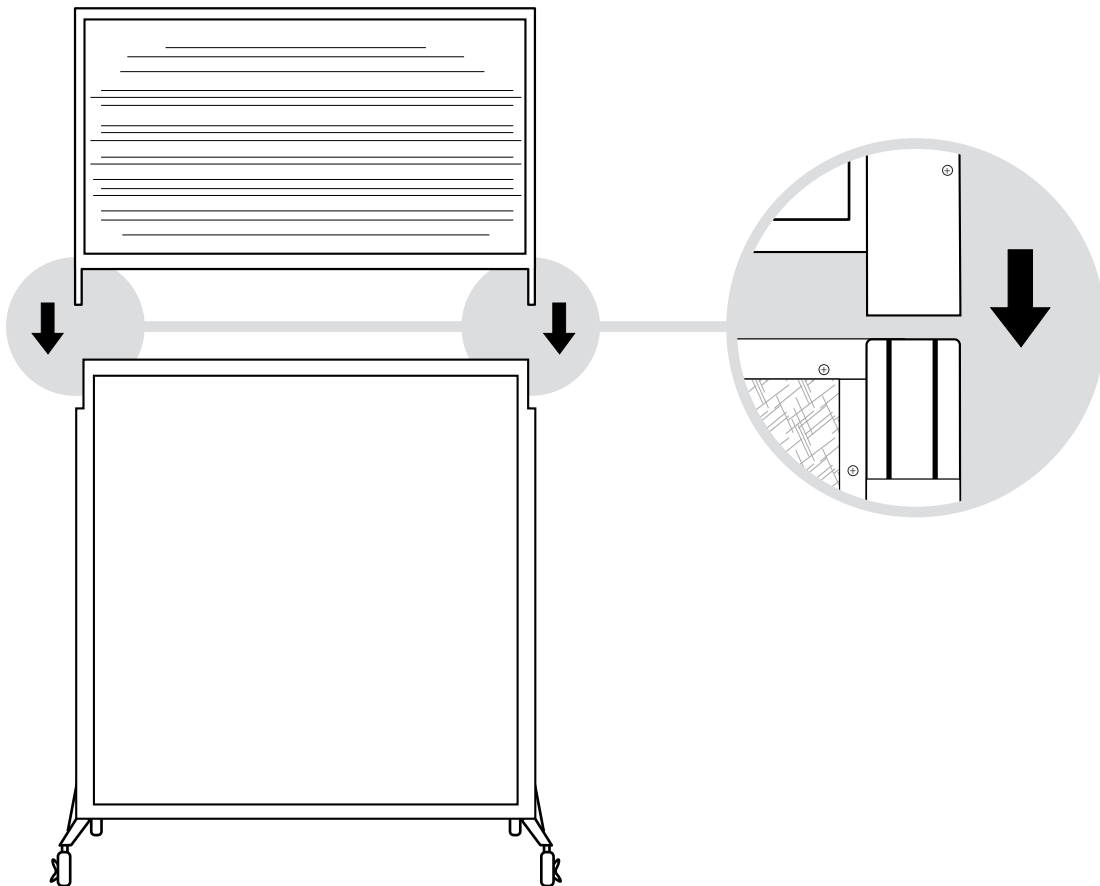
1

FLIP MAIN PANEL ON ITS SIDE AND INSERT FEET ON EACH SIDE.



2

STAND PARTITION UPRIGHT AND SLIDE IN WINDOW CONNECTOR.



P: 1.800.830.0210
F: 1.800.310.4874

VERSARE
www.versare.com

3236 California St. NE
Minneapolis, MN 55418