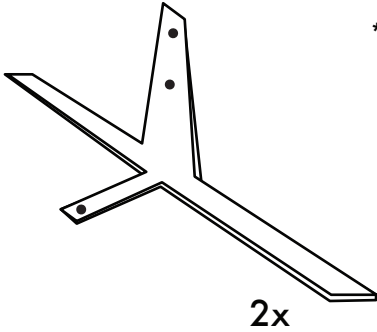
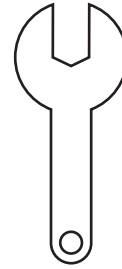


# QUICK-WALL

(SLIDING)

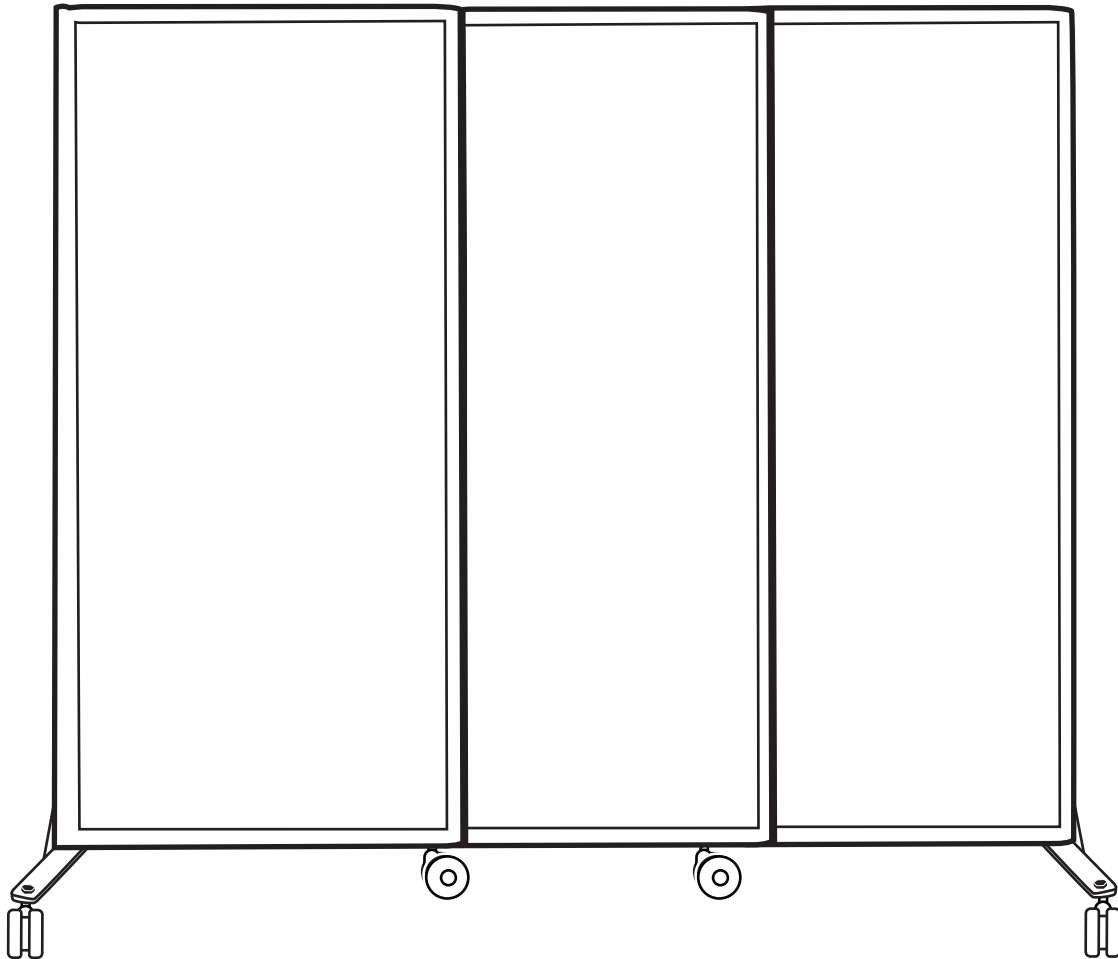


\*Screws & bolts arrive attached to partition.



Box Contents

Recommended Tools

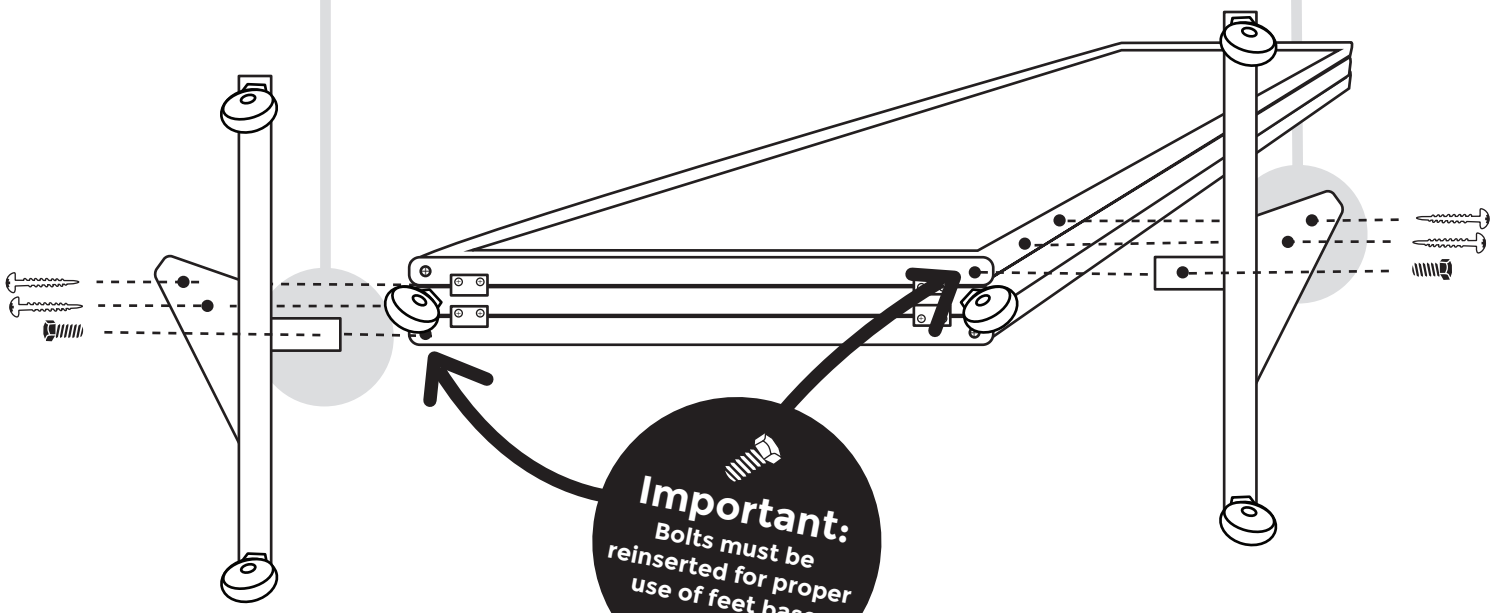
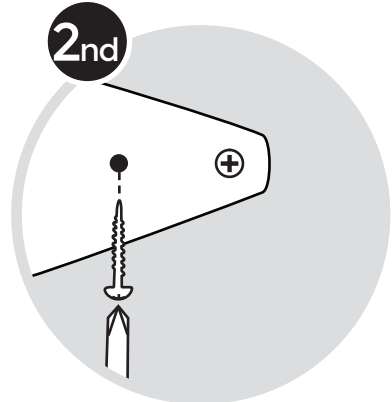
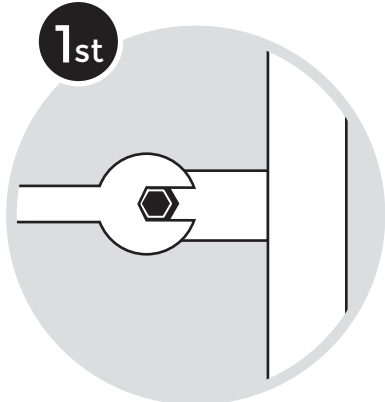


P: 1.800.830.0210  
F: 1.800.310.4874

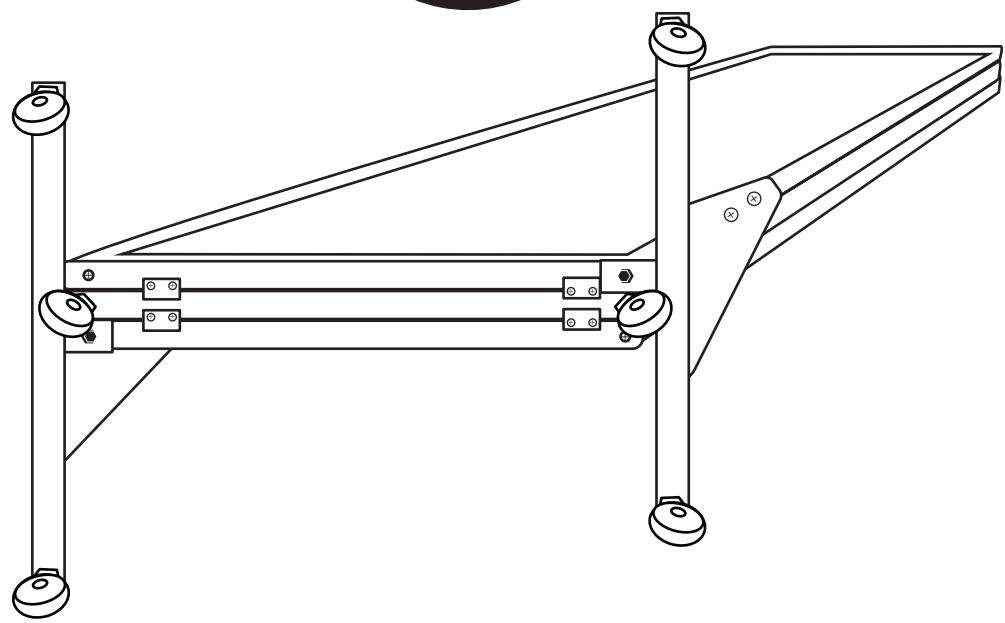
**VERSARE**  
www.versare.com

3236 California St. NE  
Minneapolis, MN 55418

Remove two bolts. Then attach feet base with **BOLTS FIRST, SCREWS SECOND.**



**RESULT:**



P: 1.800.830.0210  
F: 1.800.310.4874

**VERSARE**  
www.versare.com

3236 California St. NE  
Minneapolis, MN 55418