



# WALL-MOUNTED ROOM DIVIDER 360®

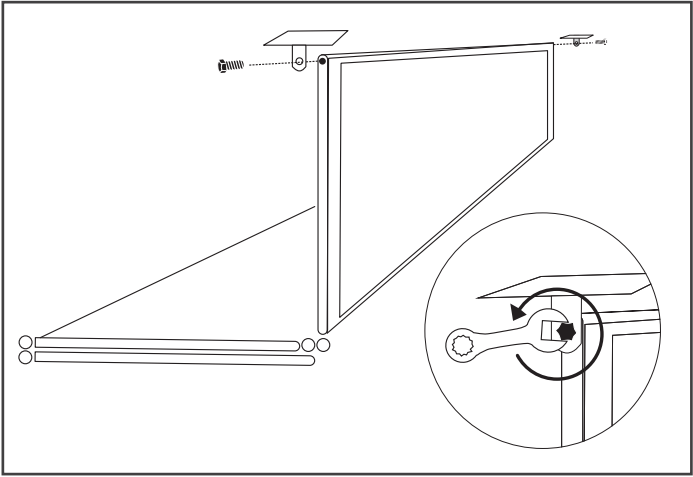
ASSEMBLY INSTRUCTIONS

HARDWARE INCLUDED:	RECOMMENDED TOOLS:
• Bolts (x2)	• Socket Wrench
• Mounting Plates (x2)	• Drill

Questions or concerns regarding parts?  
Please contact us at 1.800.830.0210 or email us at [customerservice@versare.com](mailto:customerservice@versare.com)

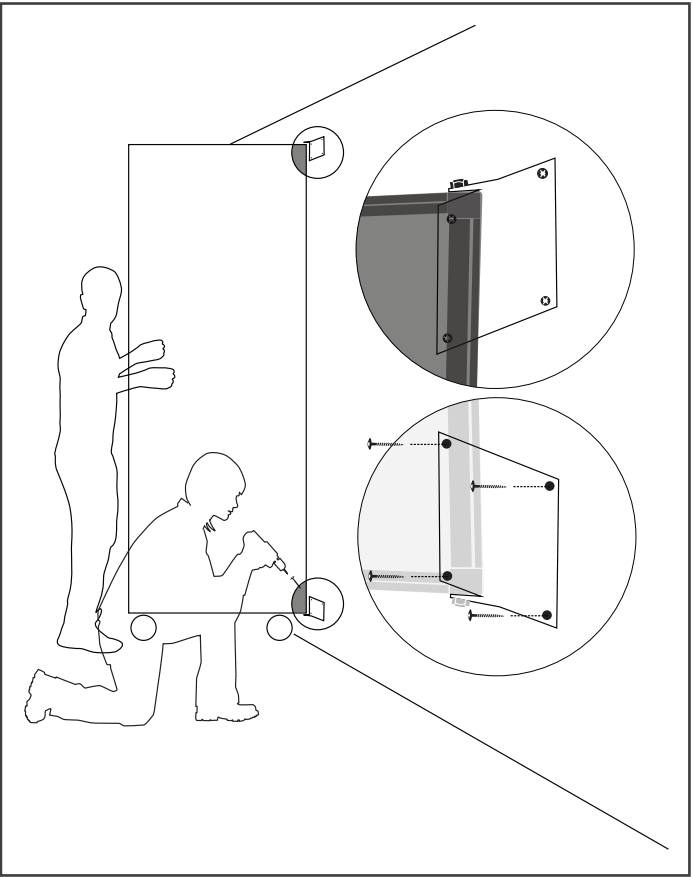
### STEP 1.

Place the two standard cubicle feet and the two door kit feet (the U-shaped receiving foot and the cut-out foot beside the door opening). Confirm whether your door is left- or right-handed before assembling. The receiving panel should be installed last.



### STEP 2.

Install the cubicle panels between the feet and secure them using the post kits.



**TO LEARN MORE:**  
Visit [www.versare.com](http://www.versare.com) | Call 855.647.6909 | Email [sales@versare.com](mailto:sales@versare.com)