

# VERSARE<sup>®</sup>

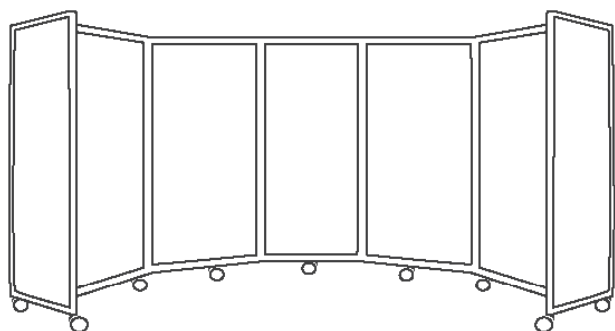
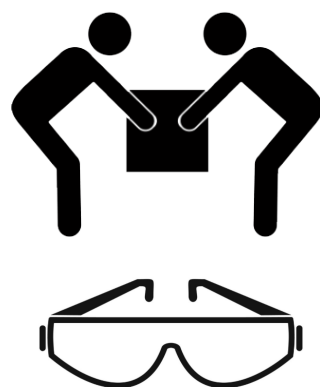
## ROOM DIVIDER 360<sup>®</sup> AND STRAIGHTWALL<sup>®</sup> PARTITION ASSEMBLY INSTRUCTIONS

Some assembly is required to use your Versare product. Before you begin, please read assembly instructions carefully. Follow them step by step.

Please check the parts carefully according to the Versare product model that you have ordered. If you are missing any parts, please contact our customer service department at 1-800-830-0210 or [customerservice@versare.com](mailto:customerservice@versare.com).

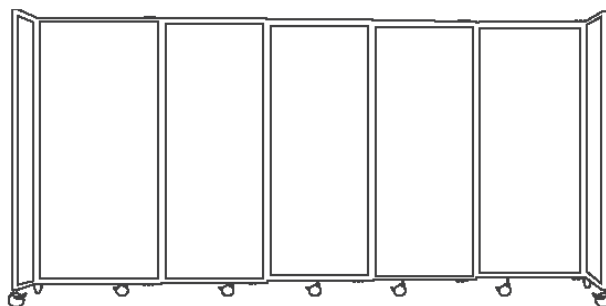


**WARNING:** This product is extremely heavy. Do not attempt to assemble and lift it by yourself. Do not sit, stand, lean, climb or jump on the partitions. Failure to comply with this caution could result in personal injury and/or property damage. Always, wear safety glasses during the assembly of your Versare product.



Room Divider 360  
pg. 2

StraightWall  
pg. 4



# ROOM DIVIDER 360<sup>®</sup>



4 of 5/16"-18x1/2"  
(2 used for Wall Mounted Version)



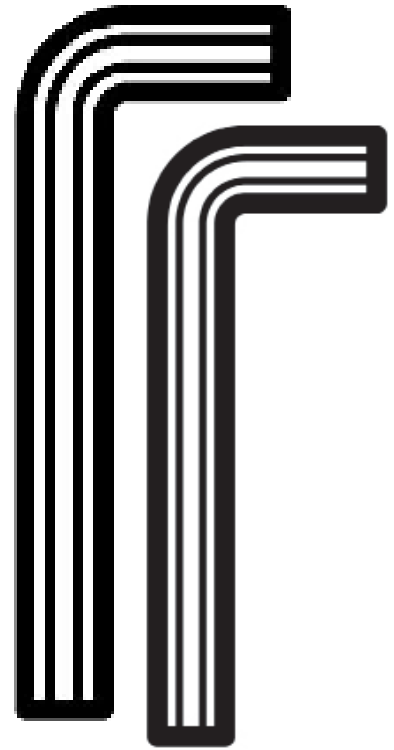
5 of 5/16"x1 1/2"\*



4 of 3/8"-16x1"



5 Wheel Assemblies\*



2 Allen Wrenches

\*For units of 7 and 9 primary panels only, not including end panel(s).

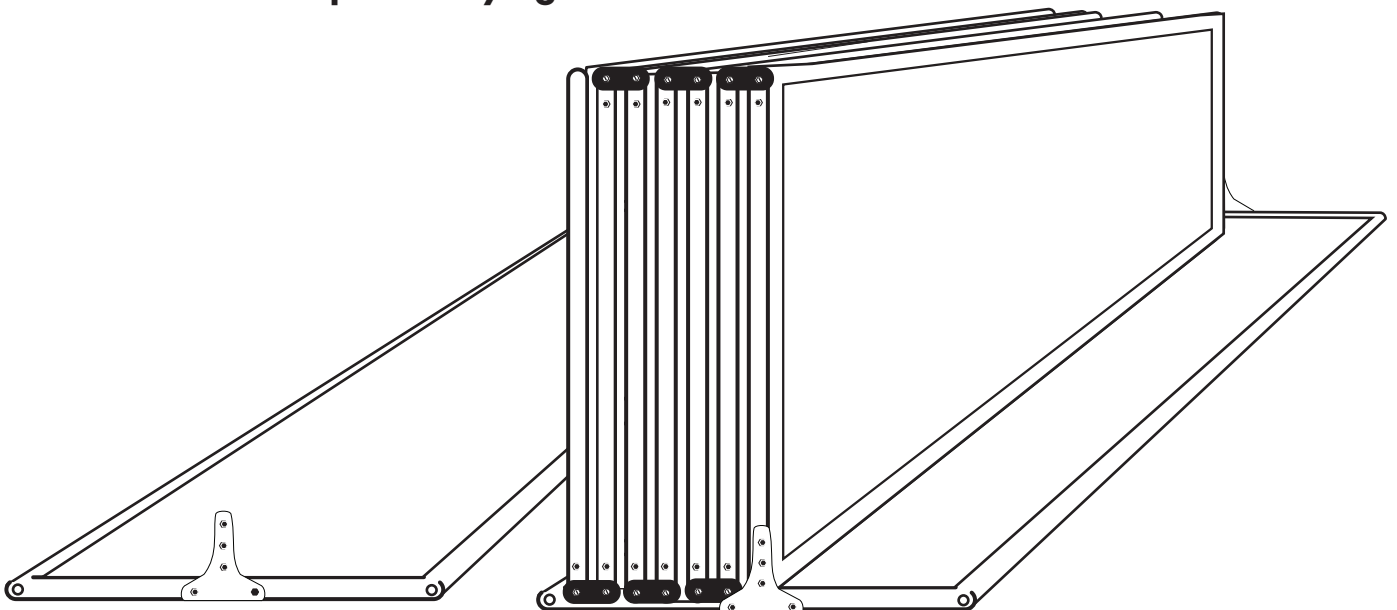
## Parts Included

Number of parts vary based on size and configuration of Room Divider 360

## Tools Included

1

Gently place end panel on its back next to partition. Single wheels will already be screwed into panels. **Keep shipping band attached to the interior panels until after assembly is complete; DO NOT use strap as carrying handle.**



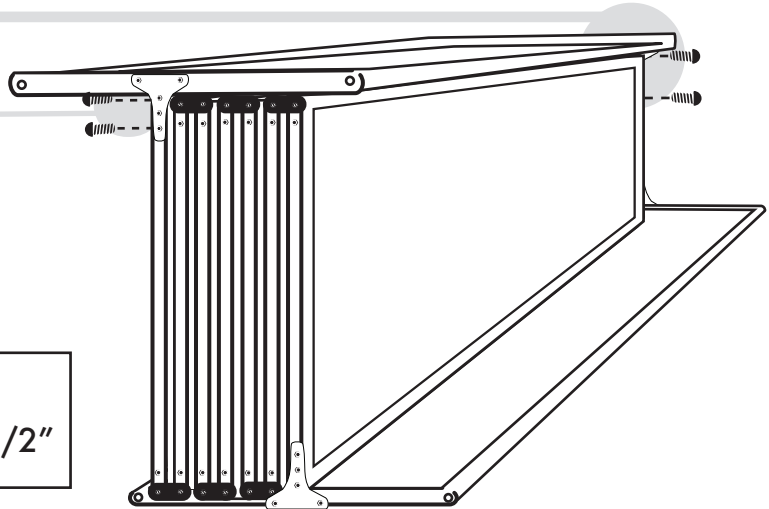
2

Place end panel on partition. Line up bracket on end panel and match up the holes on the panels. Screw bolts into corners of bracket on panels. Slide square nut into Position 2 to allow 5/16" screw to be attached. Repeat for both end panels.

\*Wall Mounted units will only have one end panel.



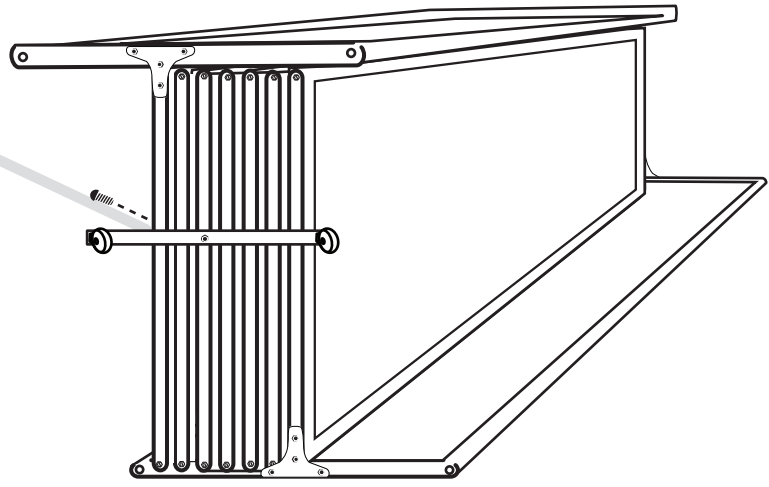
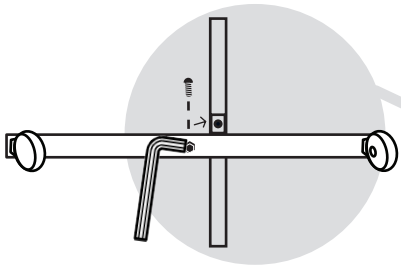
**Position 1:** 3/8"-16x1"  
**Position 2:** 5/16"-18x1/2"



3

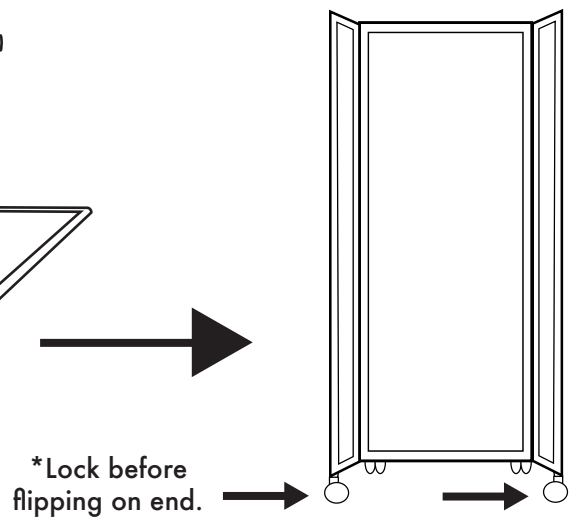
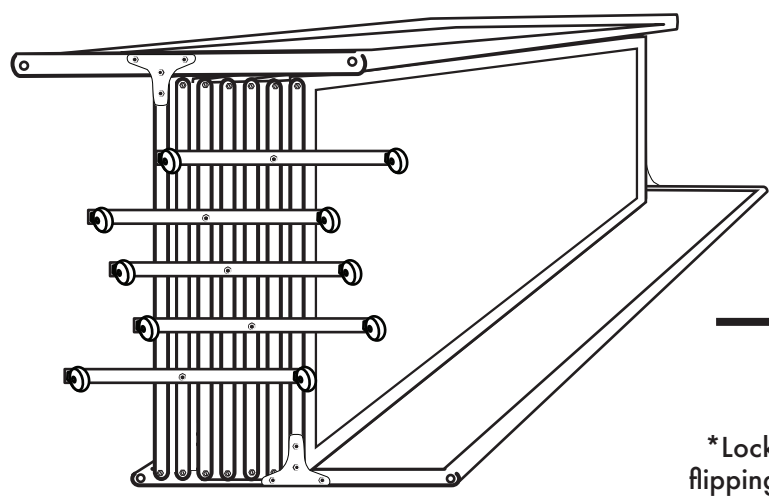
**\*This step is for 7 and 9 panel room dividers only.**

Screw wheel base into bottom of panels into square nuts. Image shows approximate placement. The bottom of panels are predrilled. Slide square nut to this location. Attach wheel assembly with 5/16"-1 1/2" screw using allen wrench. Hold pressure on wheel bar to maintain perpendicular placement.



4

Repeat this process for all wheel bars. Adjust single mounted wheels into locked position, then flip and enjoy! For wall mounted instructions, go to page 6.



\*Lock before flipping on end.

# STRAIGHTWALL®



4 of 5/16"-18x1"  
(2 used for Wall Mounted Version)



4 of 3/8"-16x1"



2 Allen Wrenches

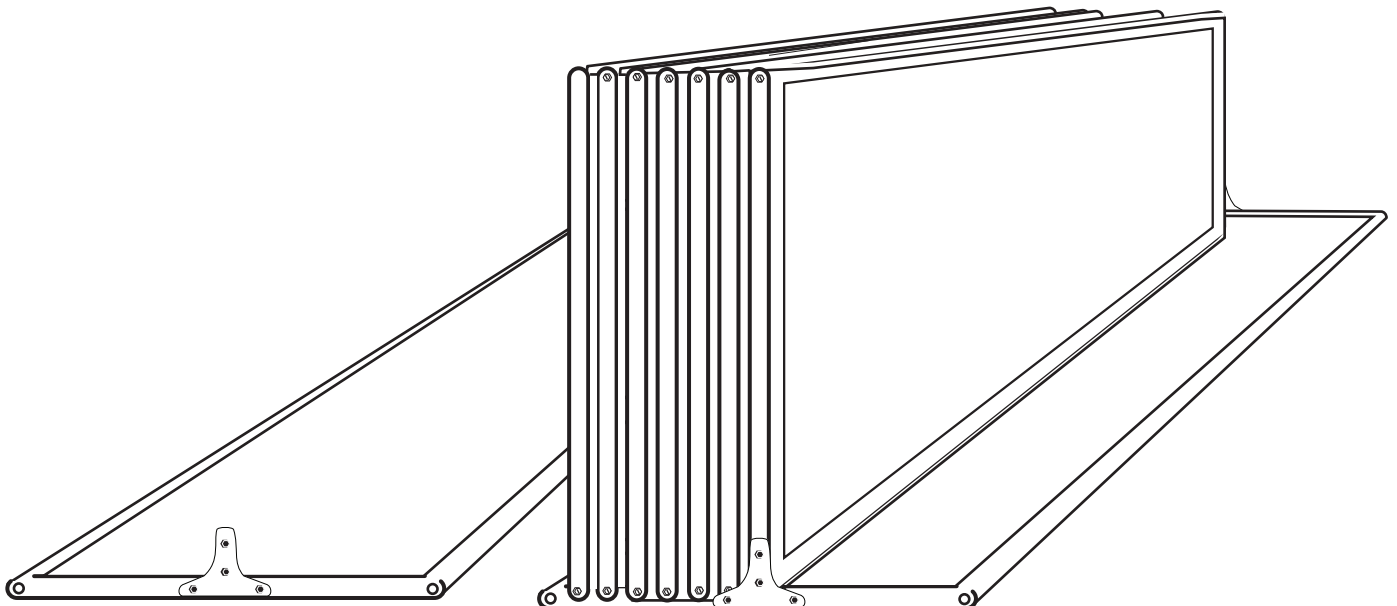
## Parts Included

Number of parts vary based on size and configuration of StraightWall

## Tools Included

1

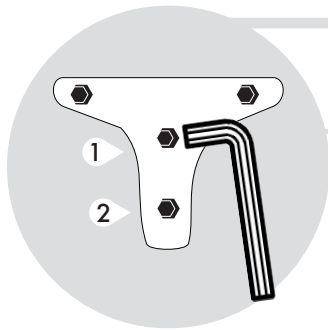
Gently place end panel on its back next to partition. Single wheels will already be screwed into panels. **Keep shipping band attached to the interior panels until after assembly is complete; DO NOT use strap as carrying handle.**



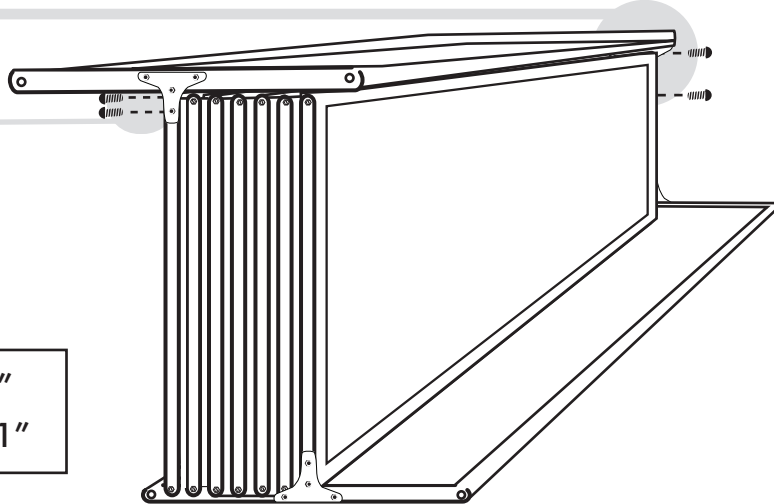
2

Place end panel on partition. Line up bracket on end panel and match up the holes on the panels. Screw bolts into corners of bracket on panels. Repeat for both end panels.

\*Wall Mounted units will only have one end panel.

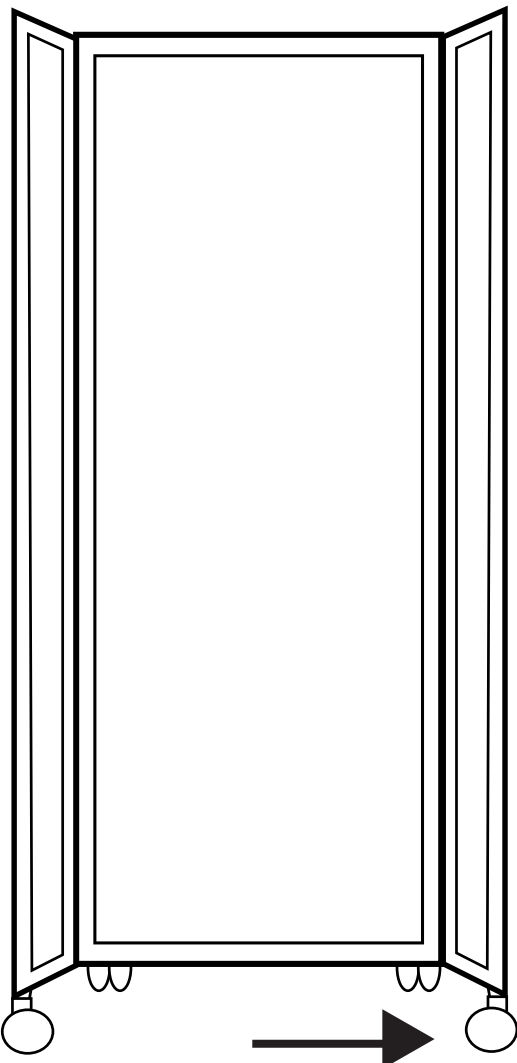


**Position 1:** 3/8"-16x1"  
**Position 2:** 5/16"-18x1"



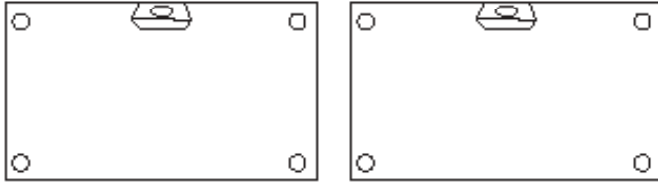
3

Adjust lockable wheels to locked position, then flip upright and enjoy!



\*Lock before flipping on end.

# WALL MOUNT



2 Wall Mount Brackets



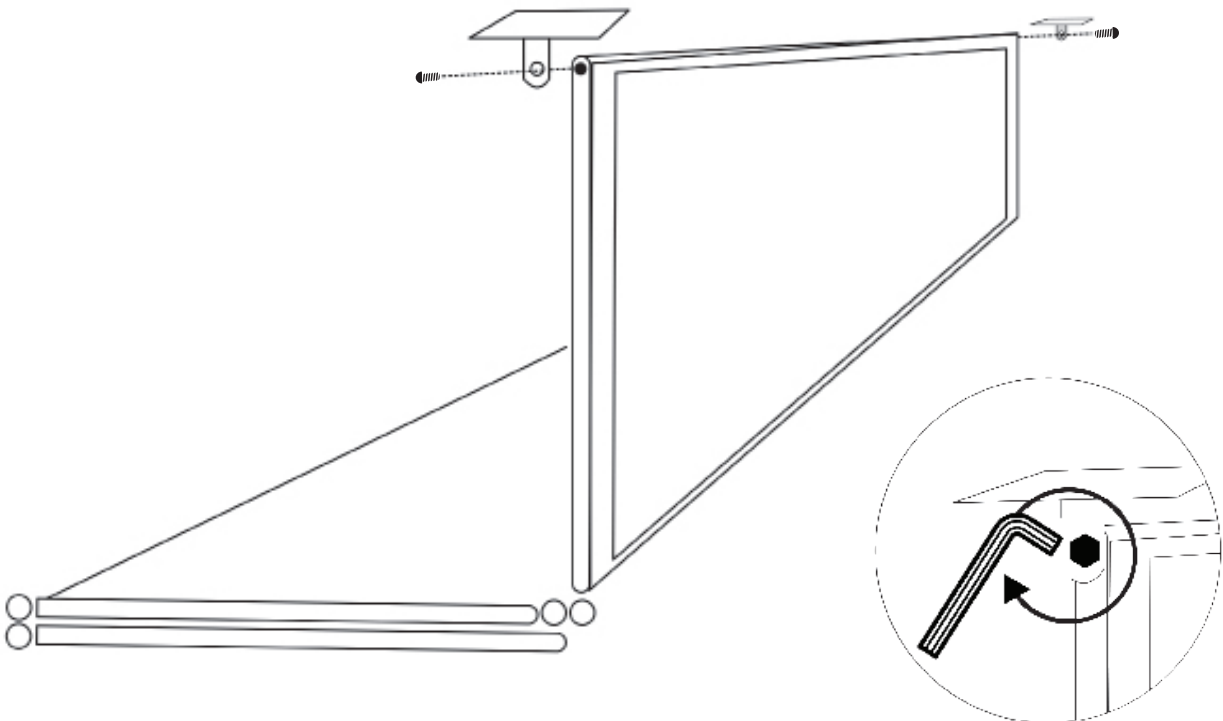
\* Appropriate hardware based on wall material.

## Parts Included

## Recommended Parts

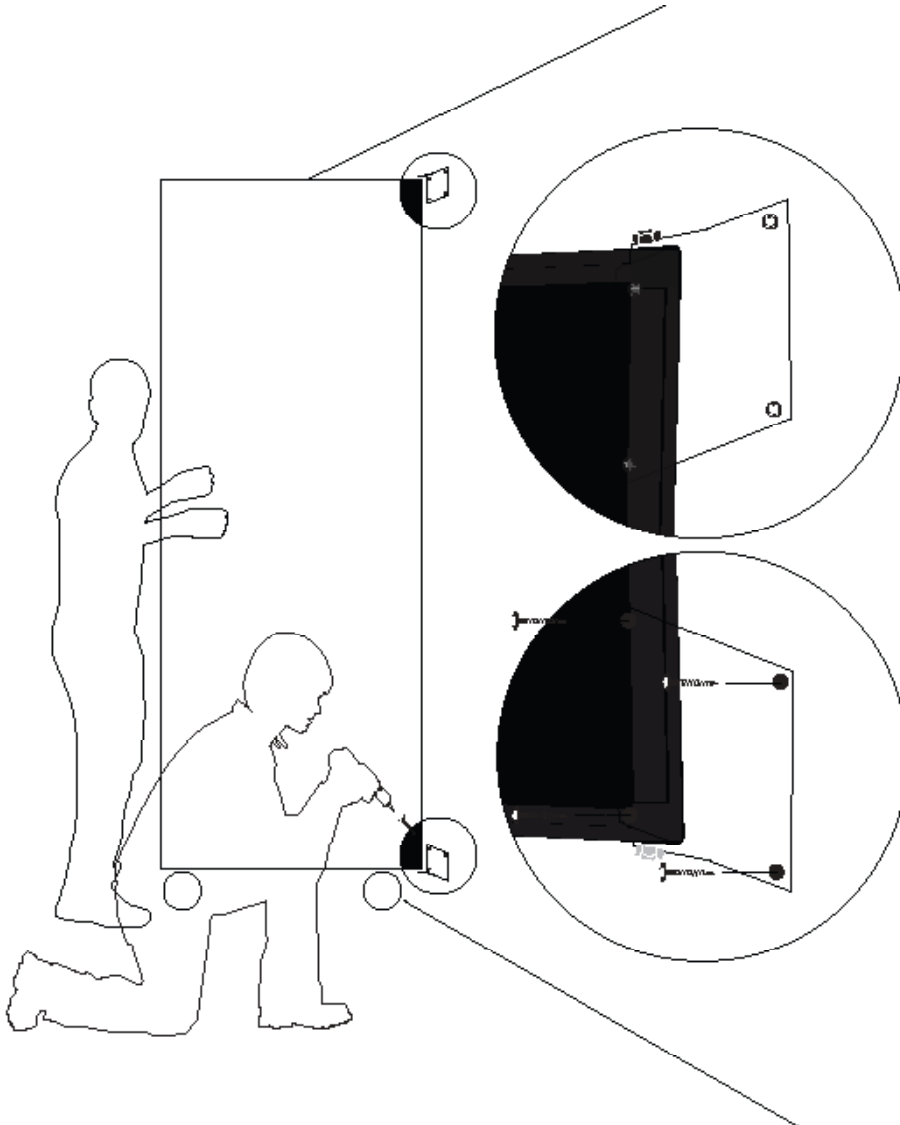
1

Use the remaining two  $3/8''-16 \times 1''$  screws to attach the wall mount brackets to panel as shown. Tighten the screws with the provided allen wrench.



2

Appropriate hardware will need to be purchased based on the material that your Room Divider 360 or StraightWall partition will mount to.



---

We hope you enjoy your new  
Versare product!

If you have any questions on your  
product, please contact us  
1-800-830-0210 or  
[customerservice@versare.com](mailto:customerservice@versare.com).