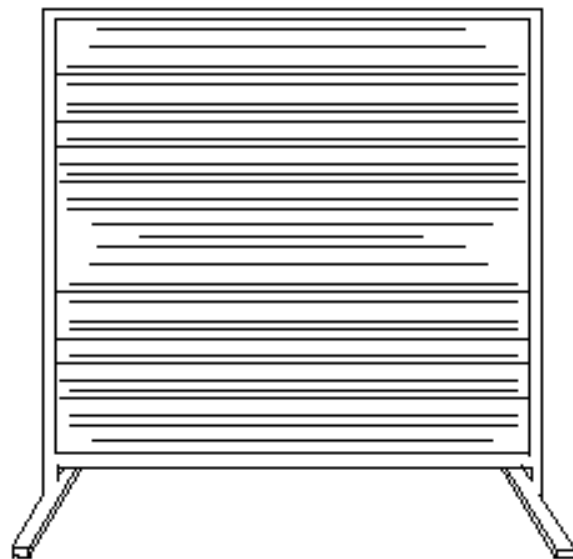
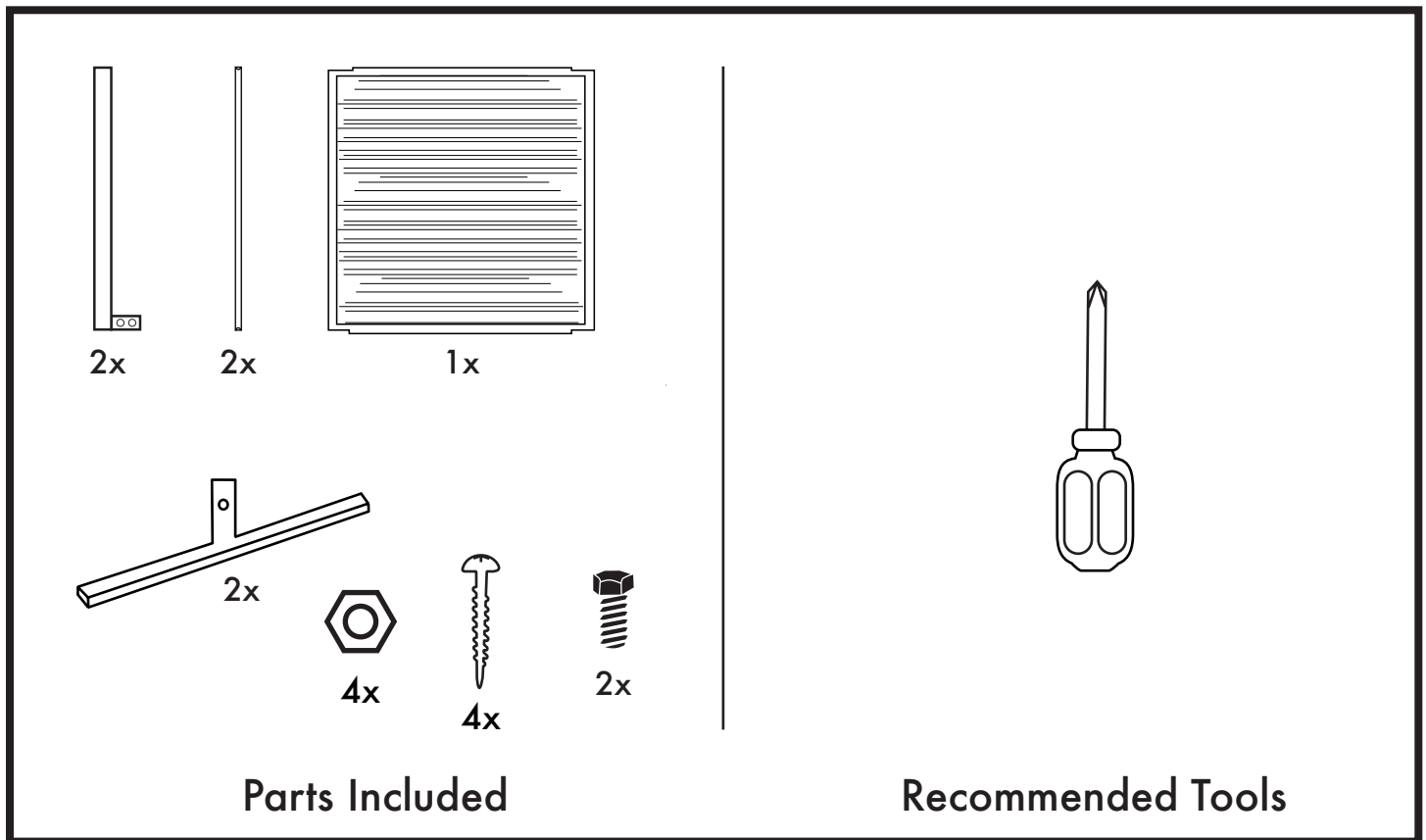


OUTDOOR PRIVACY SCREEN (Single Panel)



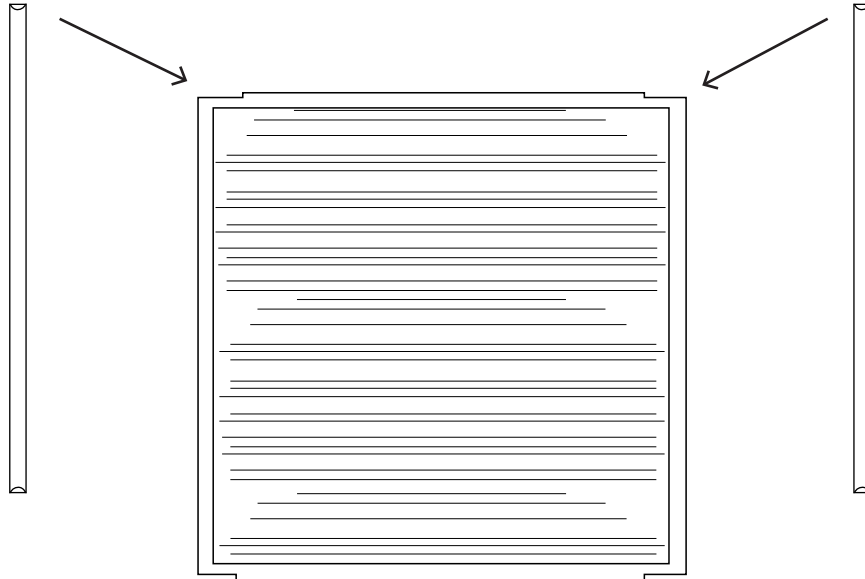
P: 1.800.830.0210
F: 1.800.310.4874

VERSARE
www.versare.com

3236 California St. NE
Minneapolis, MN 55418

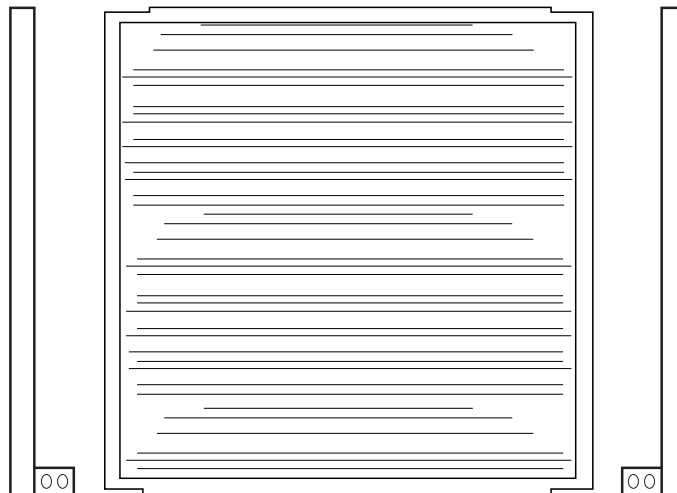
1

Insert one plastic rod inside each side of the panel's edge and slide it all the way to the top.



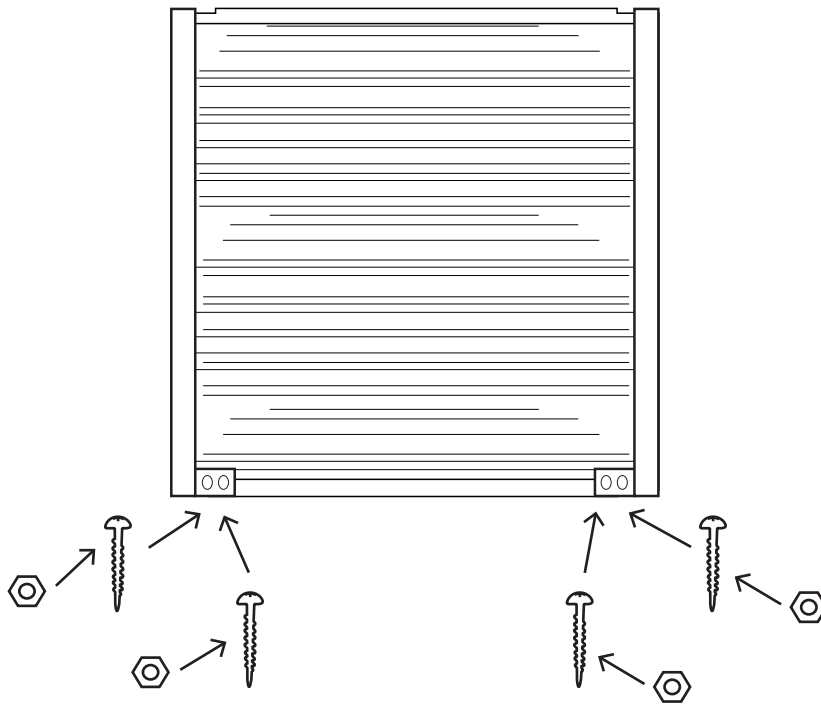
2

Slide metal post on each side over the outside of the panel. Check to make sure they click in place.



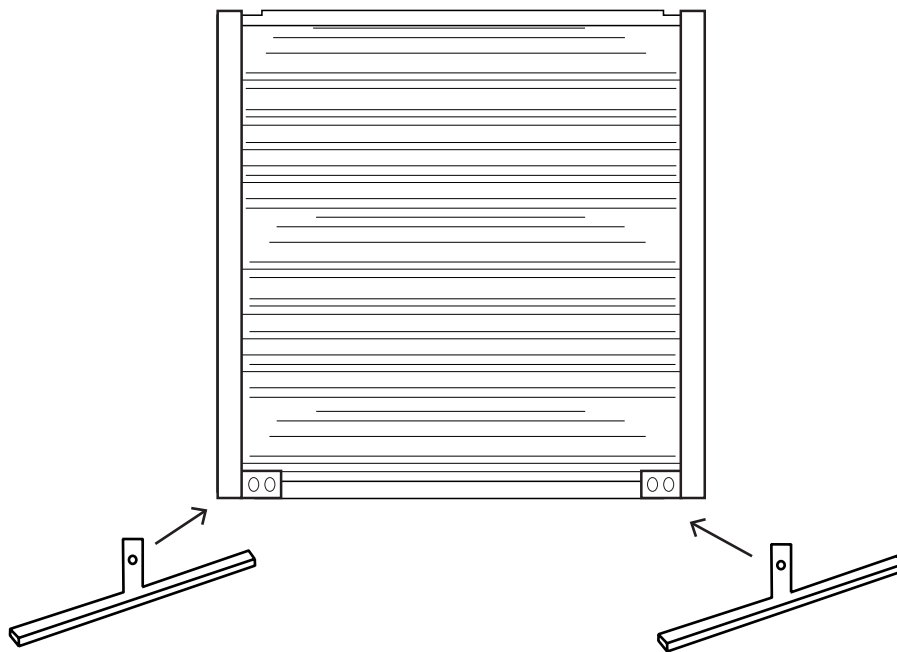
3

On bottom of panel, screw in two screws on each side. Then add a nut to each screw to keep them in place within the panel.



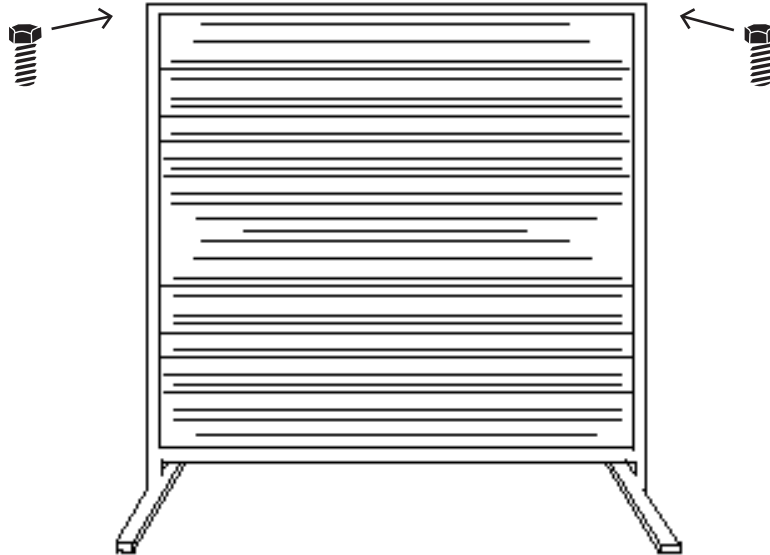
4

Click the feet in place on the bottom of the panel.



5

Screw one of the bolts on each top corner of the panel.



All complete!
We hope you enjoy your new
Outdoor Privacy Screen!

If you have any questions on your privacy
screen, please contact us at
1.800.830.0210 or
customerservice@versare.com



P: 1.800.830.0210
F: 1.800.310.4874

VERSARE
www.versare.com

3236 California St. NE
Minneapolis, MN 55418