

SoundSorb Wall-Mounted with Standoffs

Assembly Instructions



Hardware included:



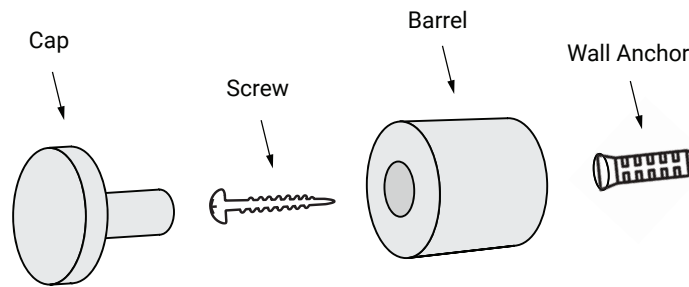
Standoff
Mounts



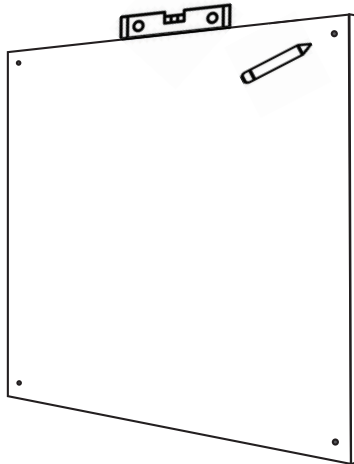
Screws



Wall Anchors



1.



Position Panel on wall using level. Make a mark in each hole on wall for shape(s) before placing anchors and screws.

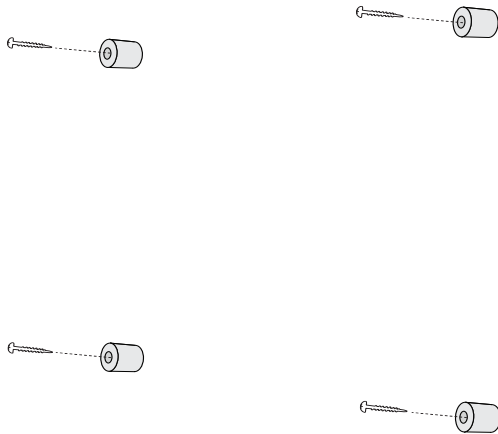
2. Where marks have been applied install anchors if needed.



VERSARE

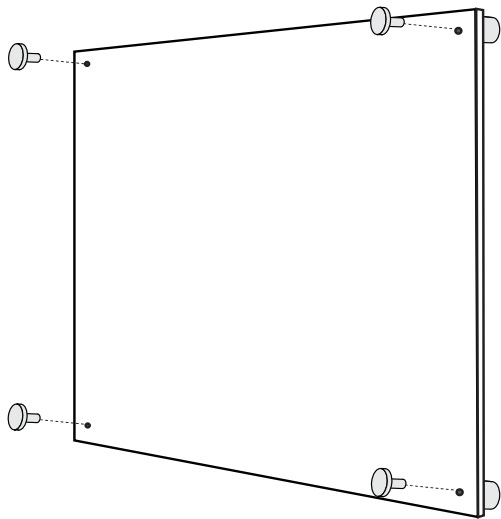
Versare Solutions, LLC
3236 California St. NE · Minneapolis, MN 55418
1-855-457-1473 · customerservice@versare.com

3.



Place screw into barrel and thread into anchors in places that are marked. Hand tighten until secure.

4.



Place panel onto the exposed barrels and finish off installation by threading caps into the barrels

Standoffs are now installed! We hope you enjoy your SoundSorb Wall-Mounted Panel with Standoffs!

For questions regarding your SoundSorb Wall-Mounted Panels please contact us at
1-855-457-1473 or
customerservice@versare.com



Versare Solutions, LLC
3236 California St. NE • Minneapolis, MN 55418
1-855-457-1473 • customerservice@versare.com