

# SoundSorb Hanging Kit

## Assembly Instructions



Hardware included:



Tubes



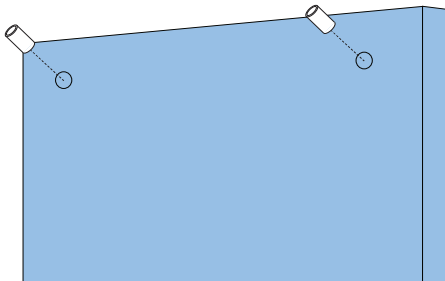
Hanging Wires



Wire Clamps with Screws

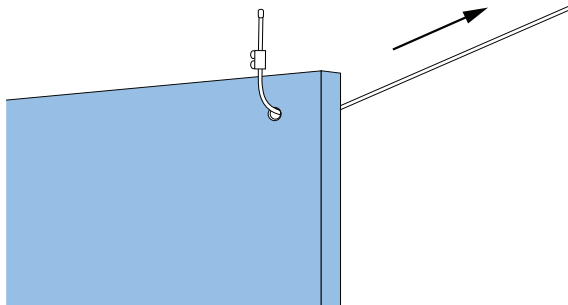
Locate and prepare ceiling surface where you plan to hang your SoundSorb Hanging shape. Due to various ceiling surfaces, ceiling attachments are not provided in this kit.

1.



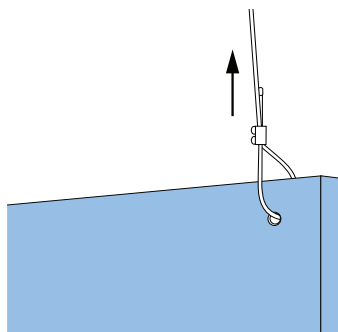
Push a tube into each of the pre-drilled holes of your SoundSorb Hanging shape.

2.



Place wire clamp on cut end of wire provided and slide to the finished end of the wire (if screws on wire clamp prevent wire from moving through the wire clamp, loosen with a screwdriver). Thread the cut end of wire through the tube.

3.



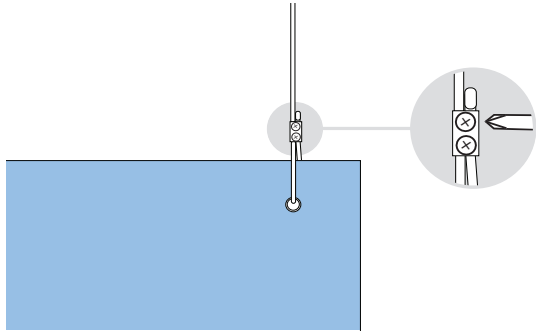
Loop cut end up through wire clamp and adjust slack of wire until desired placement of the clamp is achieved.



**VERSARE**

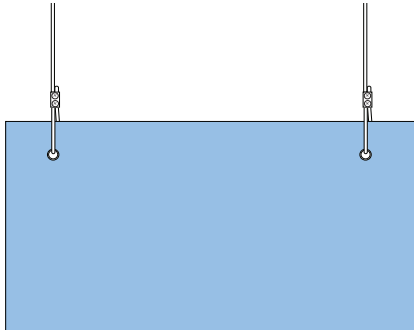
Versare Solutions, LLC  
3236 California St. NE · Minneapolis, MN 55418  
1-855-457-1473 · [customerservice@versare.com](mailto:customerservice@versare.com)

4.



Tighten wire clamp with two screws inserted into clamp wall.

5.



Repeat steps 2-4 for the second hole of your SoundSorb Hanging shape.

Wires are now added! We hope you enjoy your Wall-Mounted SoundSorb Acoustical Panels! Hang in accordance with prepared ceiling surface.

For questions regarding your SoundSorb Wall shapes please contact us at  
1-855-457-1473 or  
[customerservice@versare.com](mailto:customerservice@versare.com)



**VERSARE**

Versare Solutions, LLC  
3236 California St. NE • Minneapolis, MN 55418  
1-855-457-1473 • [customerservice@versare.com](mailto:customerservice@versare.com)

100065 REV A