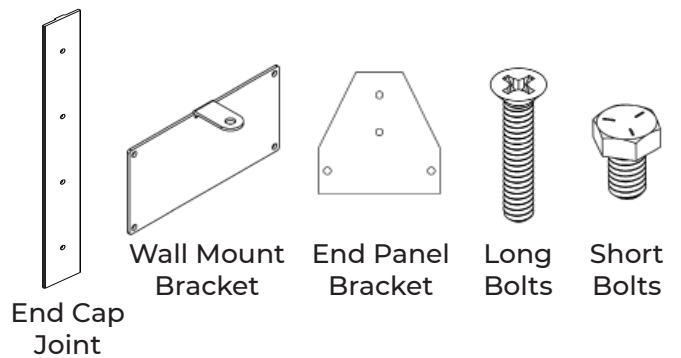


Operable Wall Folding

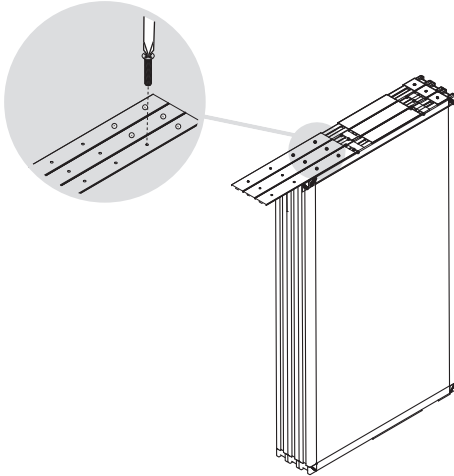
Assembly Instructions



Hardware included:

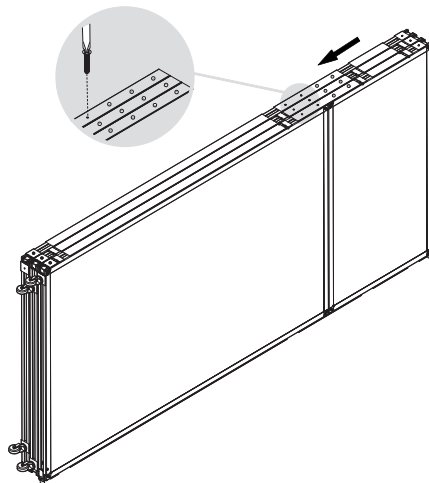


1.



Remove the long bolt from the side of each of the top panels.* Slide an end cap joint flat side up, extrusion facing down into each top panel. Align holes and insert two long bolts per panel.

2.

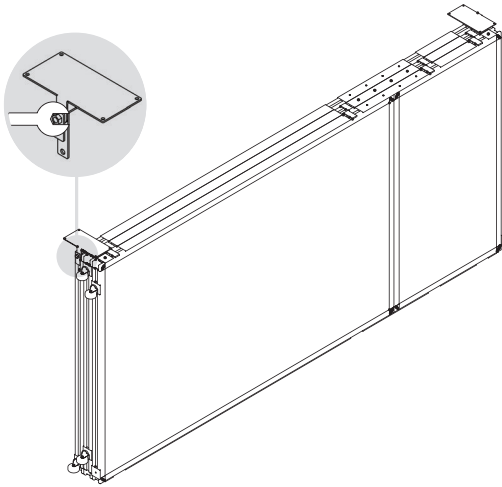


Remove a long bolt from each bottom panel. Slide top and bottom together with end cap joint, align holes and insert two long bolts per end cap joint on top panel.



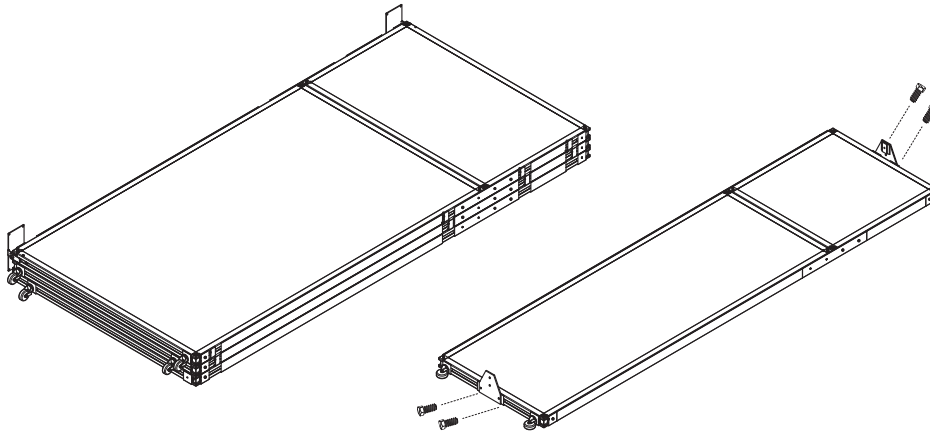
Helpful Tip: *Keep shipping wrap on for easier assembly.

3.



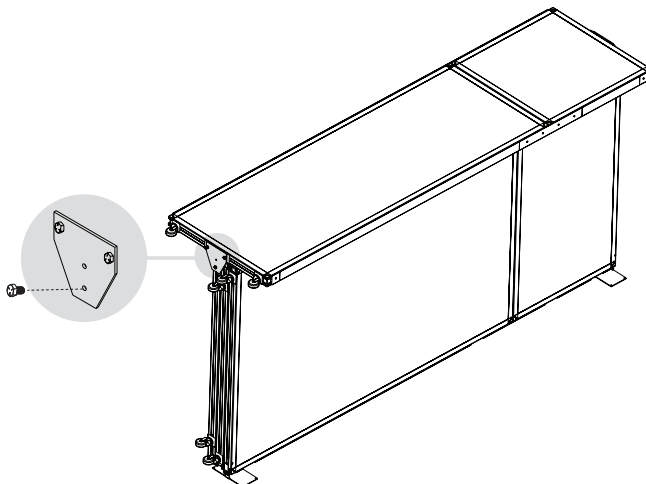
Attach wall mount hinges using bolts attached to wall mount bracket.

4.



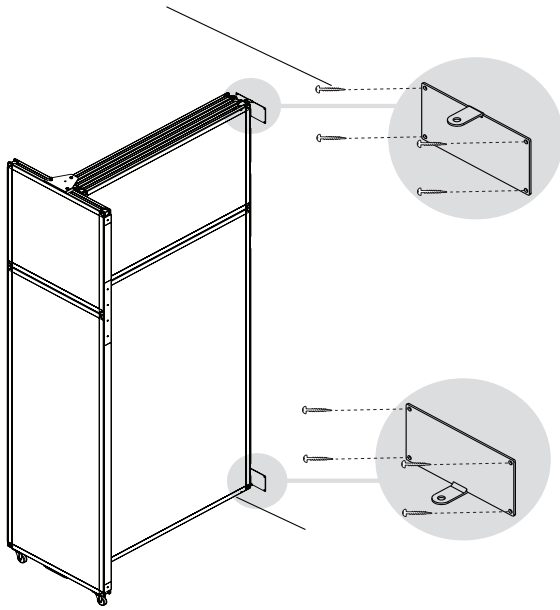
Gently place end panel flat on the ground and attach an end panel plate loosely to the top and bottom using two short bolts per plate.

5.



Attach end panel and plates to the main panels using one more short bolt for each plate.

6.



Gently lift partition onto it's base and screw wall plates to wall with 4 fasteners each.**

**Due to differing wall types fasteners are not included with wall plates. Please evaluate wall material and consult local hardware professional before installing wall plates to wall for a secure installation.

Assembly complete!
We hope you enjoy your new Operable Wall Folding!

For questions regarding your Operable Wall Folding please contact us at
1-855-457-1473 or
customerservice@versare.com