

Operable Wall Folding

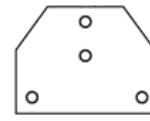
Assembly Instructions



Tools and hardware included:



Wall Mount
Bracket



End Panel
Bracket



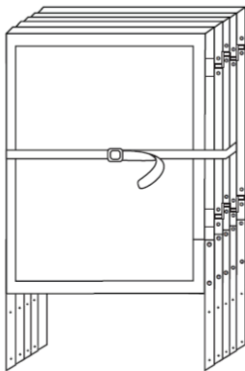
Screws



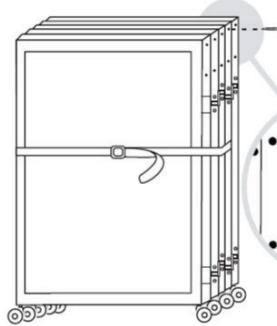
Bolts

1.

Top Panels

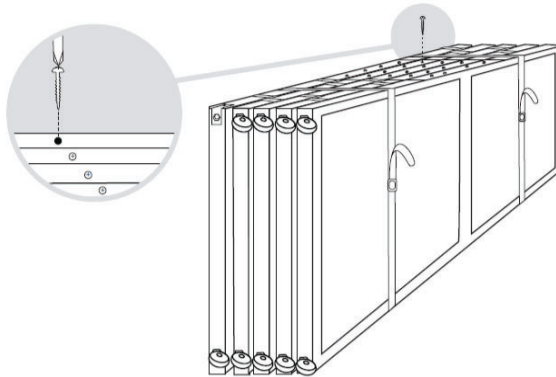


Bottom Panels



Remove screws from
bottom panels.*

2.

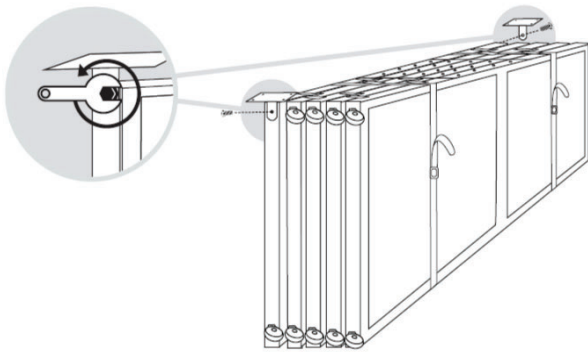


Connect top and bottom panels. Then
reinsert screws.



Helpful Tip: *Keep shipping straps buckled for easier assembly.

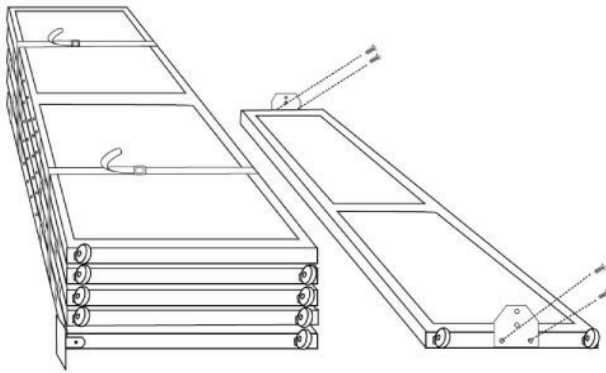
3.



Attach wall mount hinges using bolts provided.

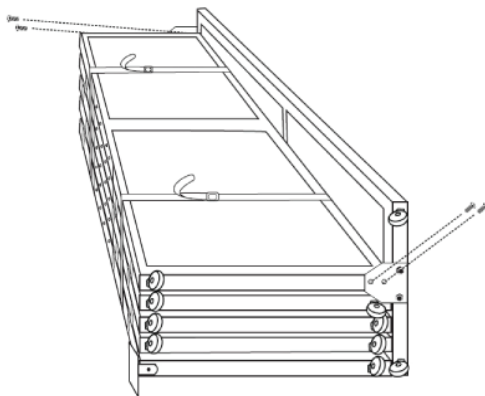
★ If not installing end panels on your Operable Wall skip to step 6.

4.



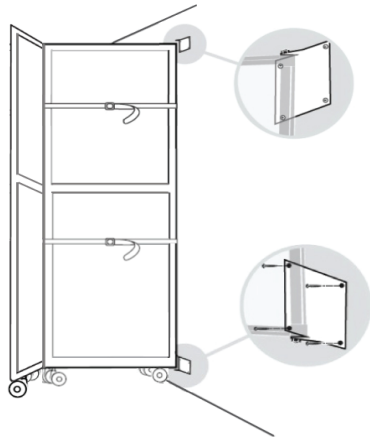
Gently place end panel flat on the ground and attach an end panel plate loosely to the top and bottom using two screws per plate.

5.



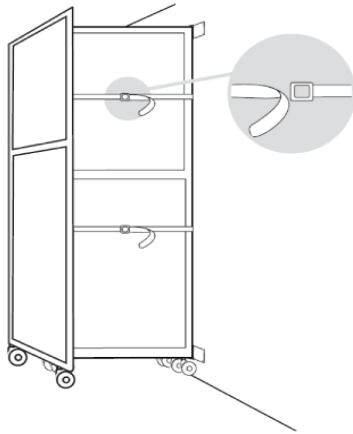
Attach end panel and plates to the main panels using two more screws for each plate.

6.



Set any adjustable wheels into locked position. Gently lift partition onto it's base and screw hinges into wall.

7.



Unbuckle straps.

Assembly complete!
We hope you enjoy your new Operable Wall Folding!

For questions regarding your Operable Wall Folding please contact us at
1-855-457-1473 or
customerservice@versare.com