

HushScreen

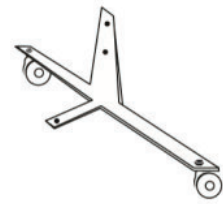
Assembly Instructions



Tools and hardware included:

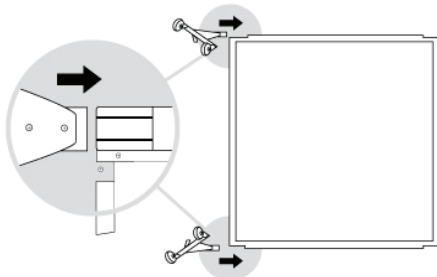


Feet



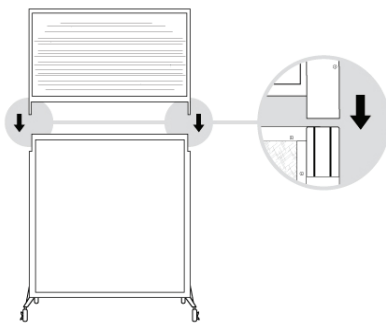
Feet with Wheels

1.



Flip main panel on its side and insert feet on each side.

2.



Stand partition upright and slide in window connector.

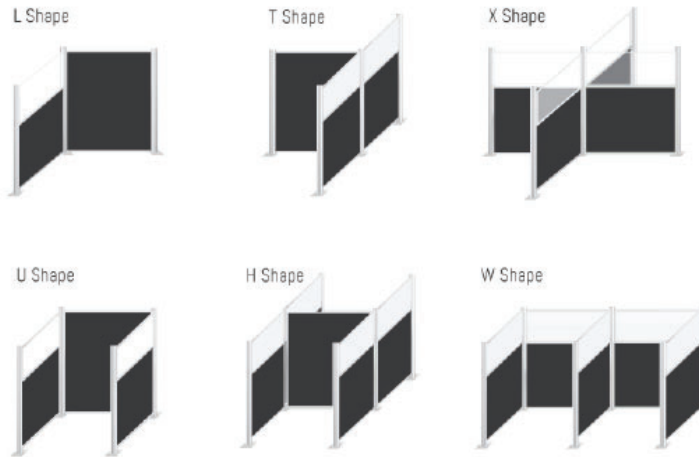
Assembly complete!
We hope you enjoy your new HushScreen!

For questions regarding your HushScreen please contact us at
1-855-457-1473 or
customerservice@versare.com



Our HushScreen Panel coordinates with our Hush Panel Configurable Cubicles. Like the HushScreen, construction is toolless and the cost is affordable. Check out our all our Hush Panel options at <https://www.versare.com/shop/cubicles-work-stations/>.

The Hush Panel is infinitely expandable, allowing it to grow along with your organization.



Some of the many possible configurations of the Hush Panel.

