

Hush Panel Wall-Mount Bracket

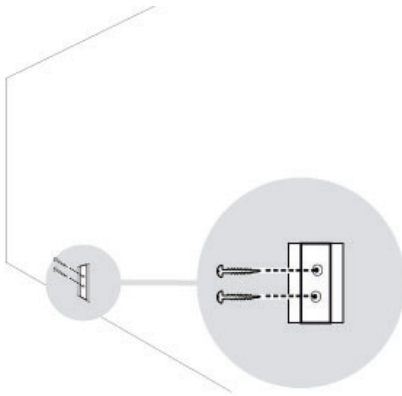
Assembly Instructions



For questions regarding your Hush Panel Wall-Mount Bracket please contact us at 1-855-457-1473 or customerservice@versare.com

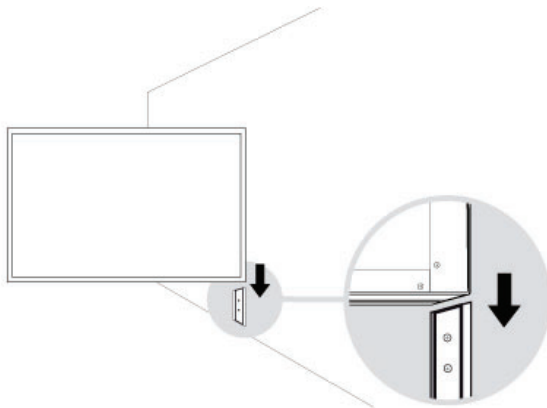
Due to differing wall types fasteners are not included with wall plates. Evaluate wall material and consult local hardware professional before installing wall plates to wall for a secure installation. Prepare fasteners before step 1.

1.



Fasten bottom bracket into desired location.

2.



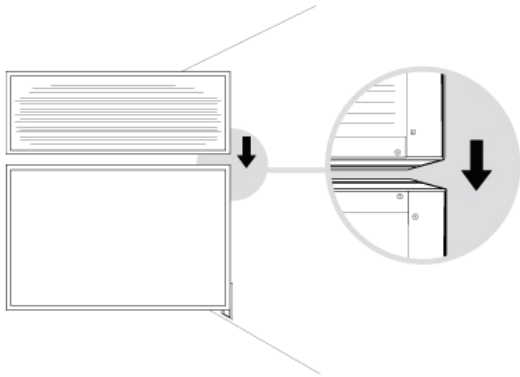
Slide Hush Panel into bottom wall mount bracket.



VERSARE

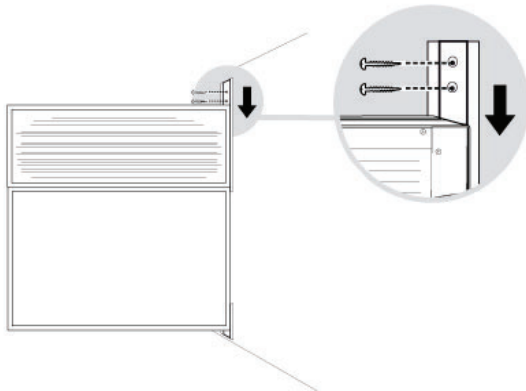
Versare Solutions, LLC
3236 California St. NE • Minneapolis, MN 55418
1-855-457-1473 • customerservice@versare.com

3.



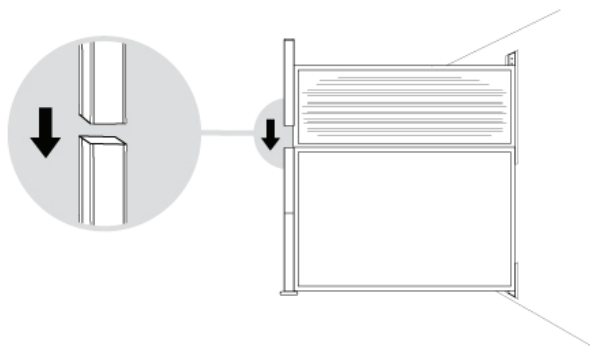
Place window and gently balance on top of acoustical panel.

5.

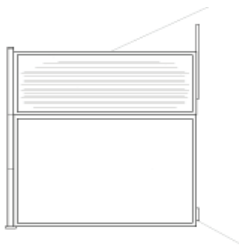


Slide down top bracket and attach to wall with fasteners you have prepared.

6.



Finally, slide in end posts and add on for desired layout.



Assembly complete!

We hope you enjoy your
Wall-Mount Hush Panel Cubicles!