

Straight Wall (Sliding)

Assembly Instructions



Tools and hardware included:



Small Bolts



Medium Bolts

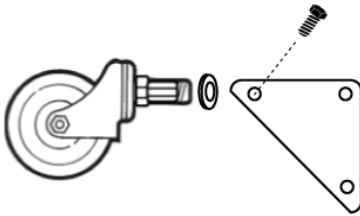


Large Bolts



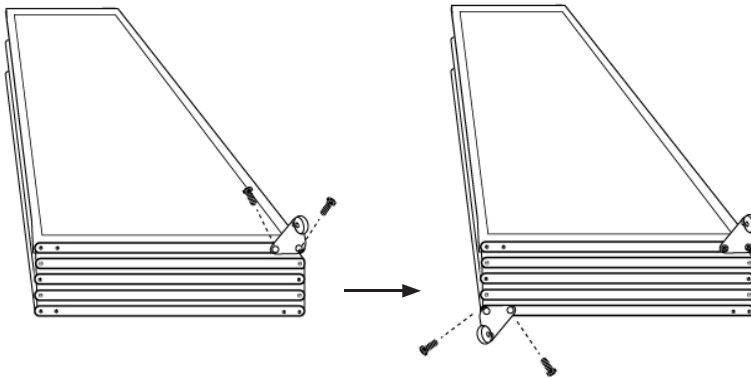
Washers

1.



Using a small bolt, connect the plate and washer to the shaft of the wheel.

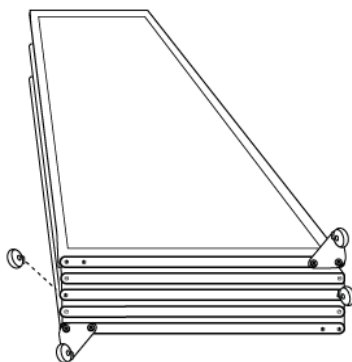
2.



Screw the wheeled bracket into the top right corner of the panel bundle using the largest screw in the right hole and the medium screw in the left hole.

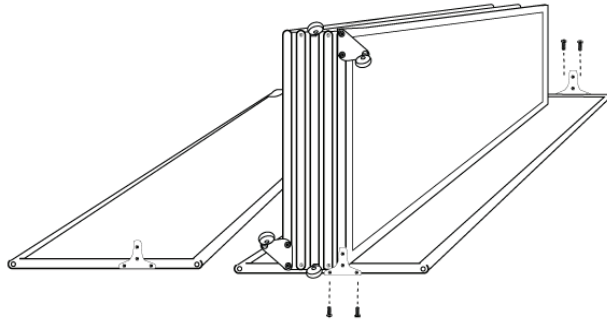
Repeat this process and screw a second wheeled bracket into the bottom left corner opposite of the other wheel.

3.



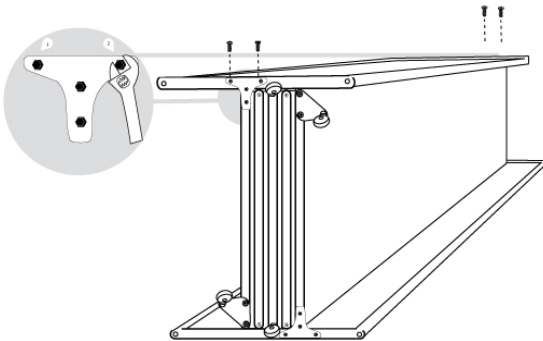
Next twist in the remaining wheels into the panels on both sides, filling every other hole.

3.



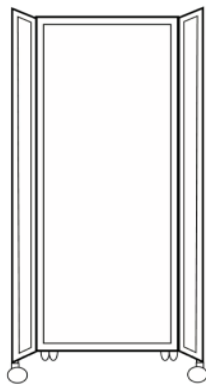
Gently place both end panels on the ground and lift partition bundle (placing it on it's side) on top of one of the end panels. Screw two bolts into corners of bracket on the end of the panel. Repeat last step for the bracket on the other end of the panel.

4.



Place second end panel on top of partition. Screw two bolts into corners of each of the reamaing two brackets.

5.



Gently lift partition onto it's base & enjoy!

Assembly complete!
We hope you enjoy your new Room Divider StraightWall!

For questions regarding your Room Divider StraightWall please contact us at
1-855-457-1473 or
customerservice@versare.com