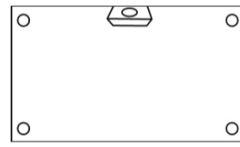


Wall Mount Bracket Set

Assembly Instructions



Tools and hardware included:



Brackets

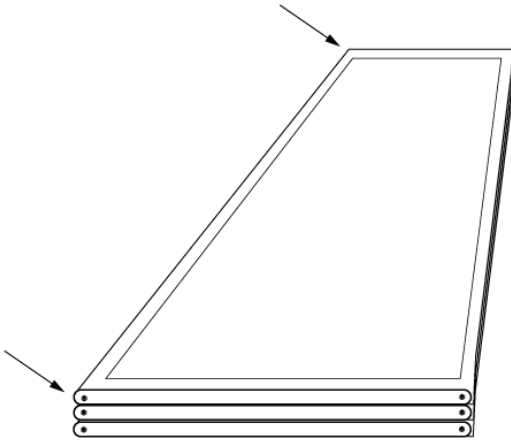


Bolts



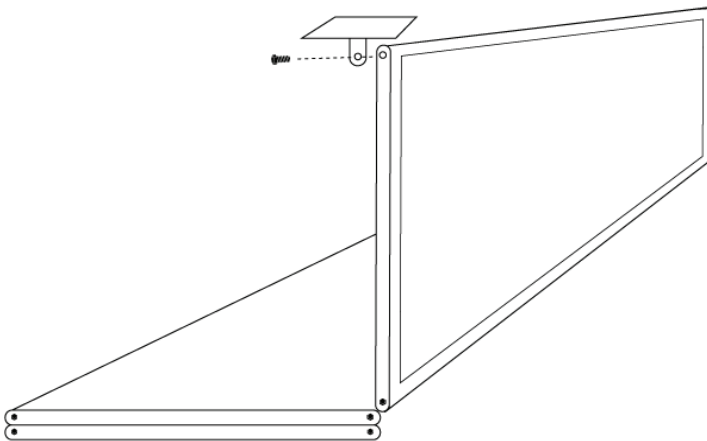
Screws

1.



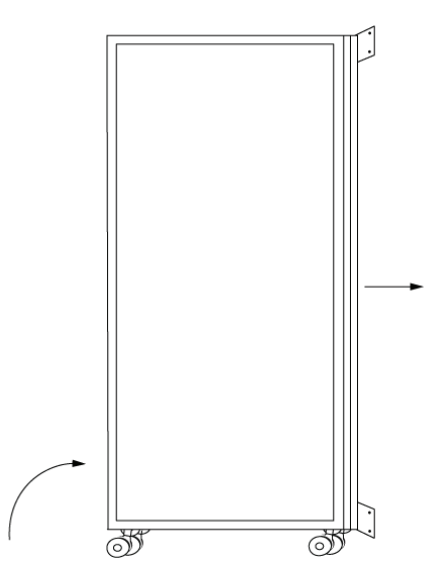
Gently place partition on its side. Remove any bolts from top and bottom of the end of the panel.

2.



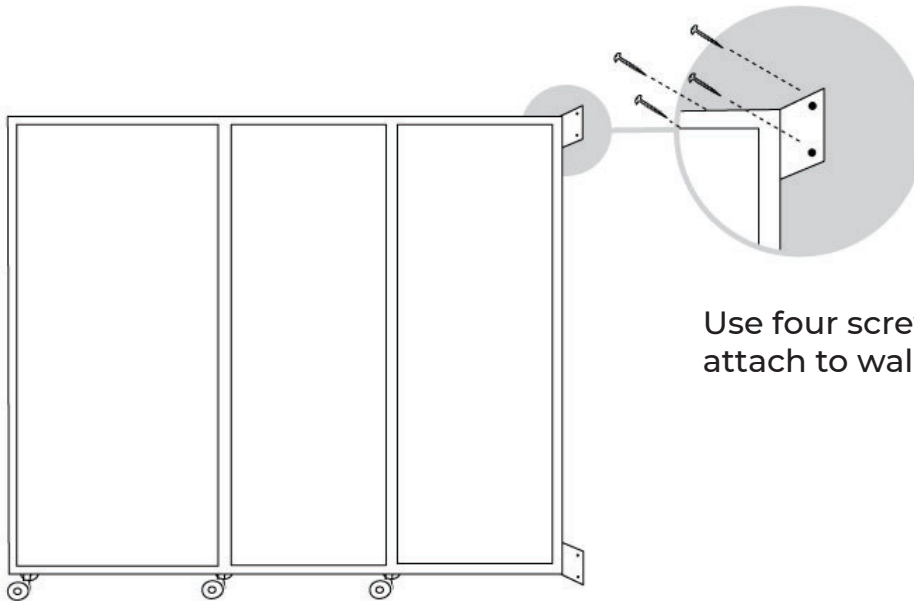
Once bolts are removed, attach brackets to corners with two bolts included with bracket kit.

3.



Find and mark stud in wall to anchor wall plates to. Lock wheels and carefully lift panels into place next to wall.

4.



Use four screws per wall plate to attach to wall.*



Helpful Tips:

* Use two people for installation. One to hold panels flush to the wall and one to attach brackets to the wall.

Assembly complete!

For questions regarding your Wall Mount Bracket Set please contact us at 1-855-457-1473 or customerservice@versare.com