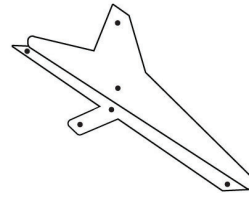


QuickWall Sliding Portable Partition Assembly Instructions



Hardware included:



Feet



Bolts



Washers



Dome Nuts



Screws

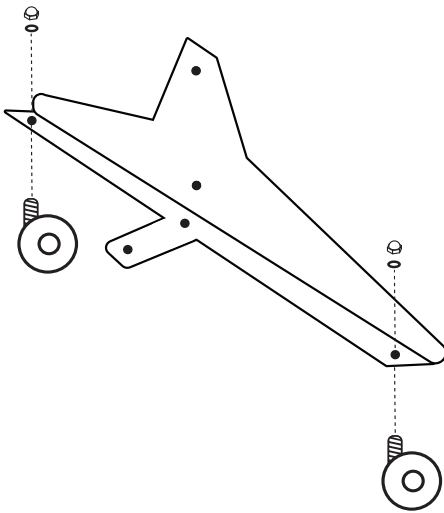


Wheels



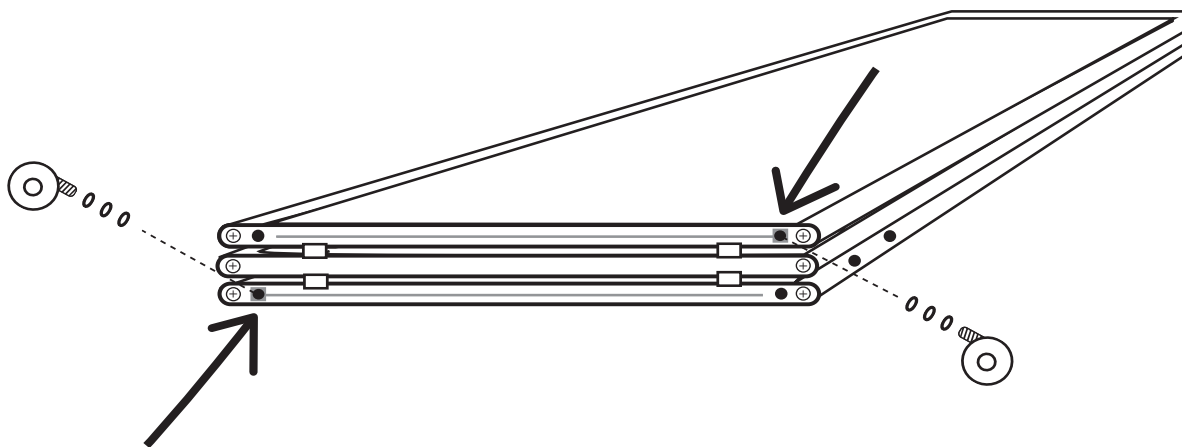
Button Screws

1.



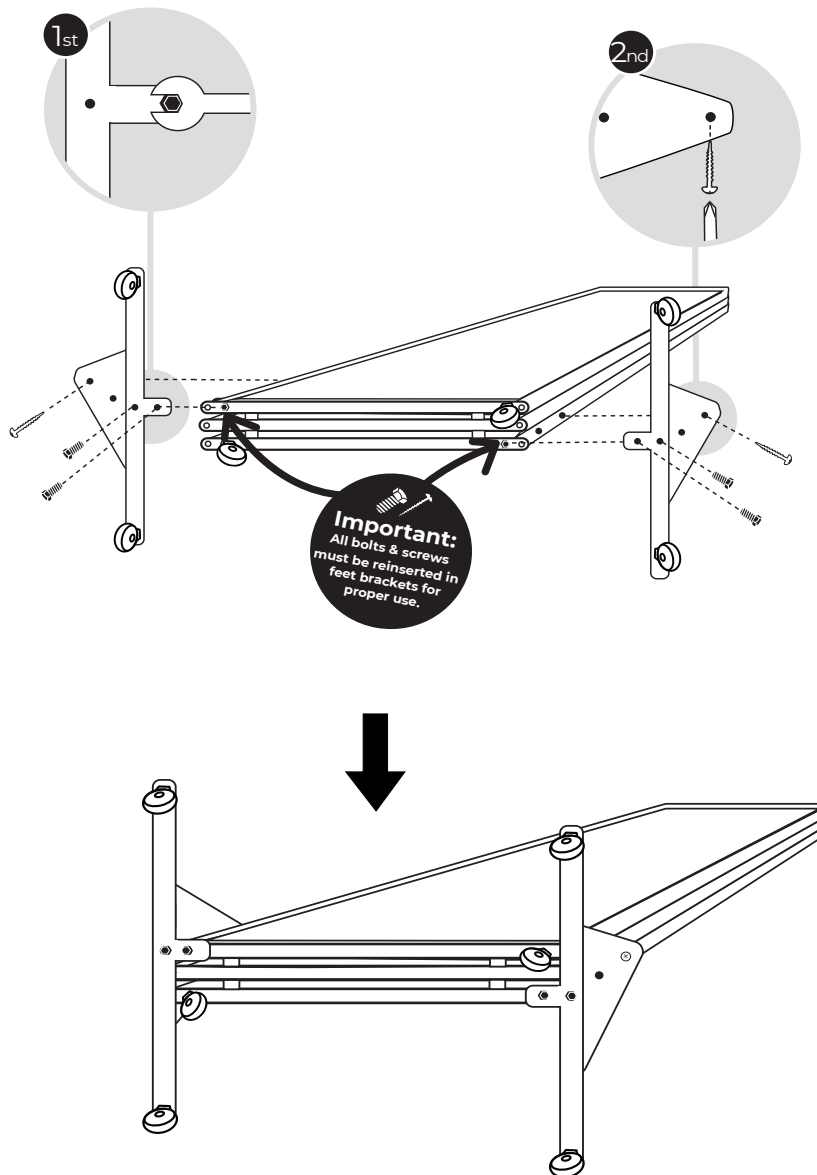
Screw two wheels onto each foot with one washer and one dome nut per wheel.

2.



To attach wheel to panel, locate square nut in bottom track of outer panel and slide to outer edge. Add three washers to wheel threading and screw into square nut. Repeat for remaining wheels.

3.



Remove two bolts from outside, bottom edge of each outer panel and one screw from the side of each outer panel. Then attach foot base with **bolts first**, screws second. Repeat for other side.

Assembly complete!
We hope you enjoy your new Quick-Wall Sliding!

For questions regarding your Quick-Wall Sliding please contact us at
1-855-457-1473 or
customerservice@versare.com



Versare Solutions, LLC
3236 California St. NE • Minneapolis, MN 55418
1-855-457-1473 • customerservice@versare.com