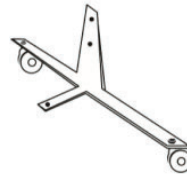


Quick Wall Sliding

Assembly Instructions



Tools and hardware included:



Feet

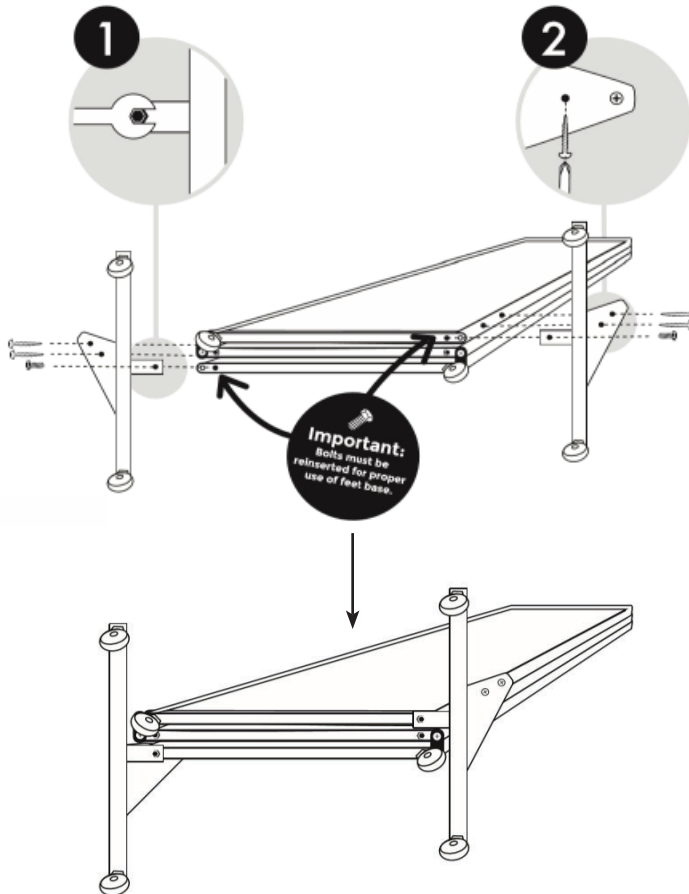


Screws



Bolts

1.



Remove two bolts. Then attach feet base with **bolts first**, screws second.

Assembly complete!

We hope you enjoy your new Quick Wall Sliding with wheels!

For questions regarding your Quick Wall Sliding please contact us at
1-855-457-1473 or
customerservice@versare.com