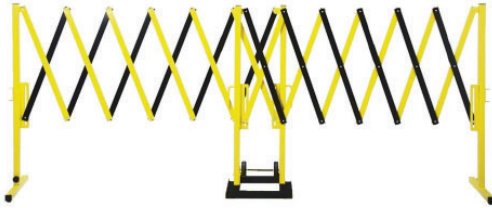
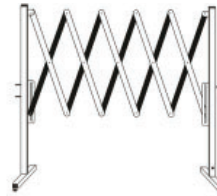


Block-N-Roll

Assembly Instructions



Package Includes:

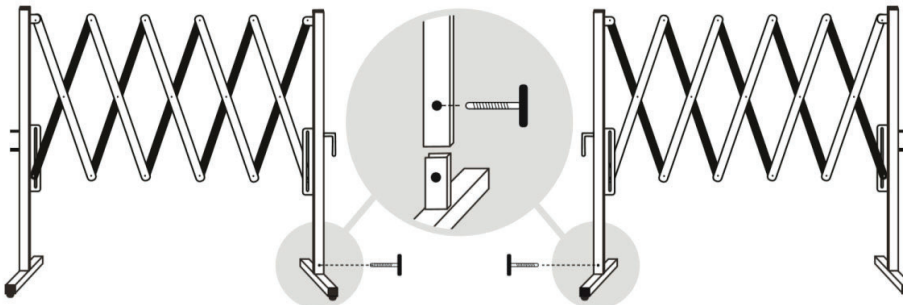


2x



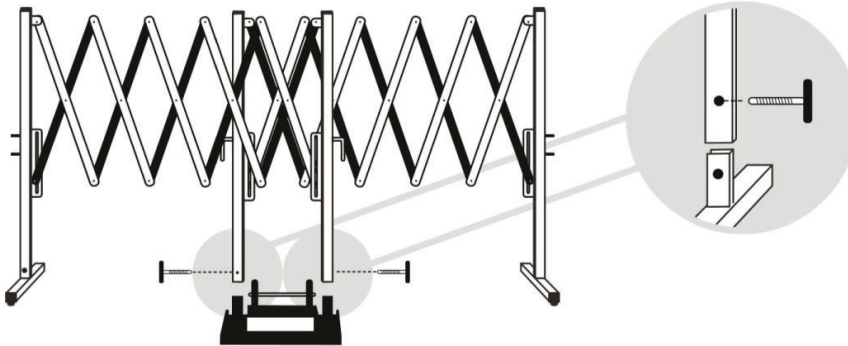
1x

1.



Unscrew and remove a foot from each barricade.

2.



Insert legs and re-screw into wheeled base.



Assembly complete!
We hope you enjoy your new Block-N-Roll!

For questions regarding your Block-N-Roll please contact us at 1-855-457-1473 or customerservice@versare.com