

VP6

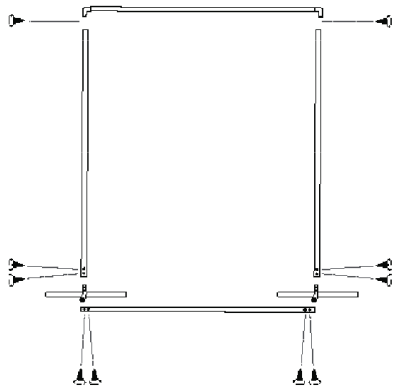
Assembly Instructions



Tools and hardware included:

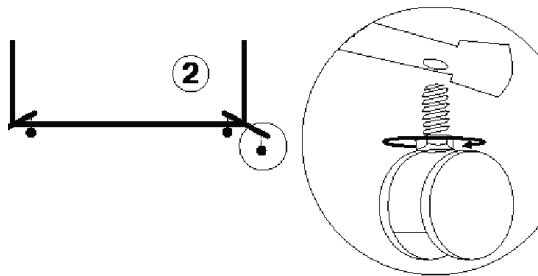
12 Screws

1.



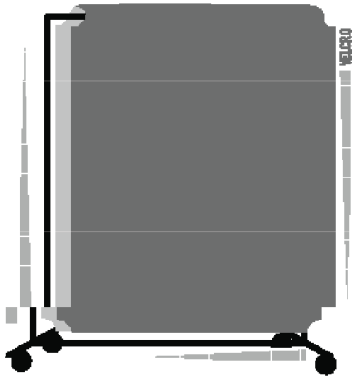
Layout poles in correct shape and screw in bolts to connect the poles together with the screws provided.

2.



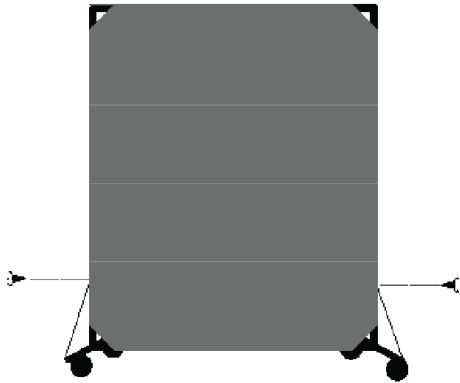
Screw in wheels to the bottom of frame.

1.



Add the canvas exterior using velcro attachments around poles.

2.



Screw in the wheels to the bottom of the panel.

Assembly complete!
We hope you enjoy your new MP10!

For questions regarding your MP10 please contact us at
1-800-830-0210 or
customerservice@versare.com