

# MP10

Assembly Instructions (5 or 7 Panels)



Hardware included:



Screws



Wheels



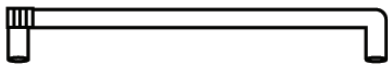
End  
Panel  
Plates



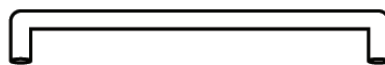
Hinge  
Plates

Parts included:

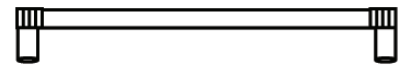
Canvas panel covers (5) 5-panel or (7) 7-panel  
(2 with Velcro Tabs are for end panels)



A - Outside Panel Frame Caps (4)



B - End Panel Frame Caps (4)



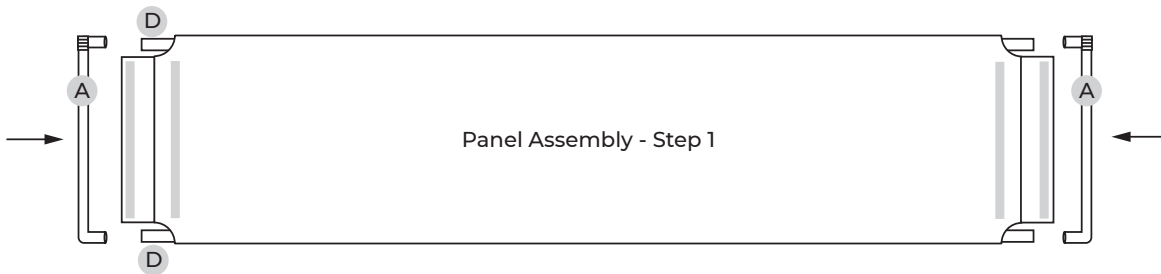
C - Center Panel Frame Caps  
(8) 5-panel or (10) 7-panel



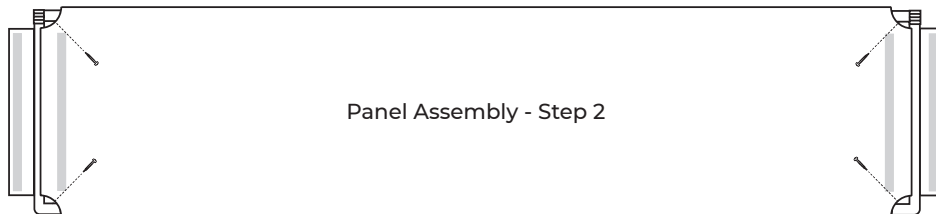
D - Panel Frame Posts (10) 5-panel or (14) 7-panel

- 1. Reserve Materials** Take out and set aside 4 part **B**, 4 part **D** and the 2 canvas end panel covers with Velcro tabs.

## 2. Panel Assembly



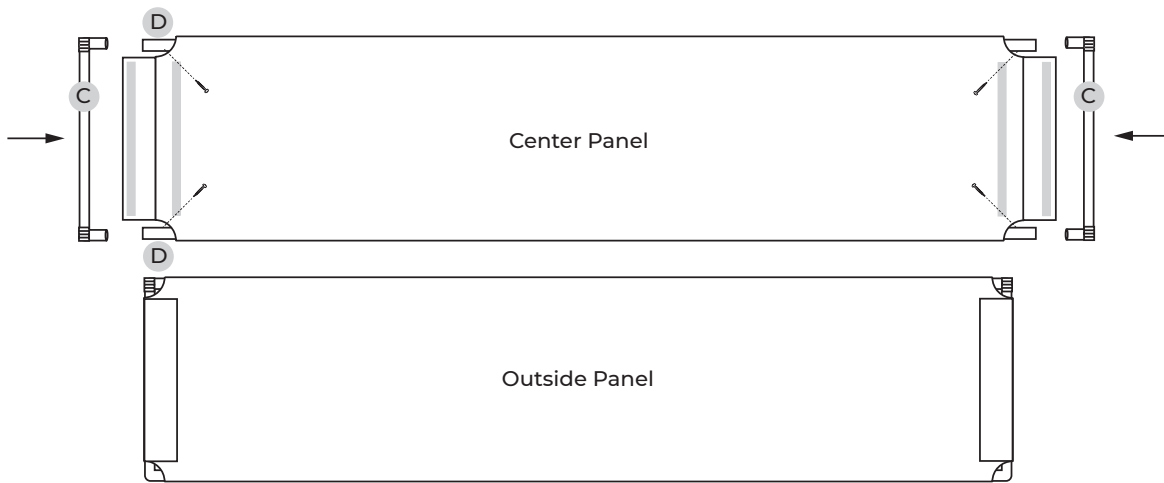
Panel Assembly - Step 1



Panel Assembly - Step 2

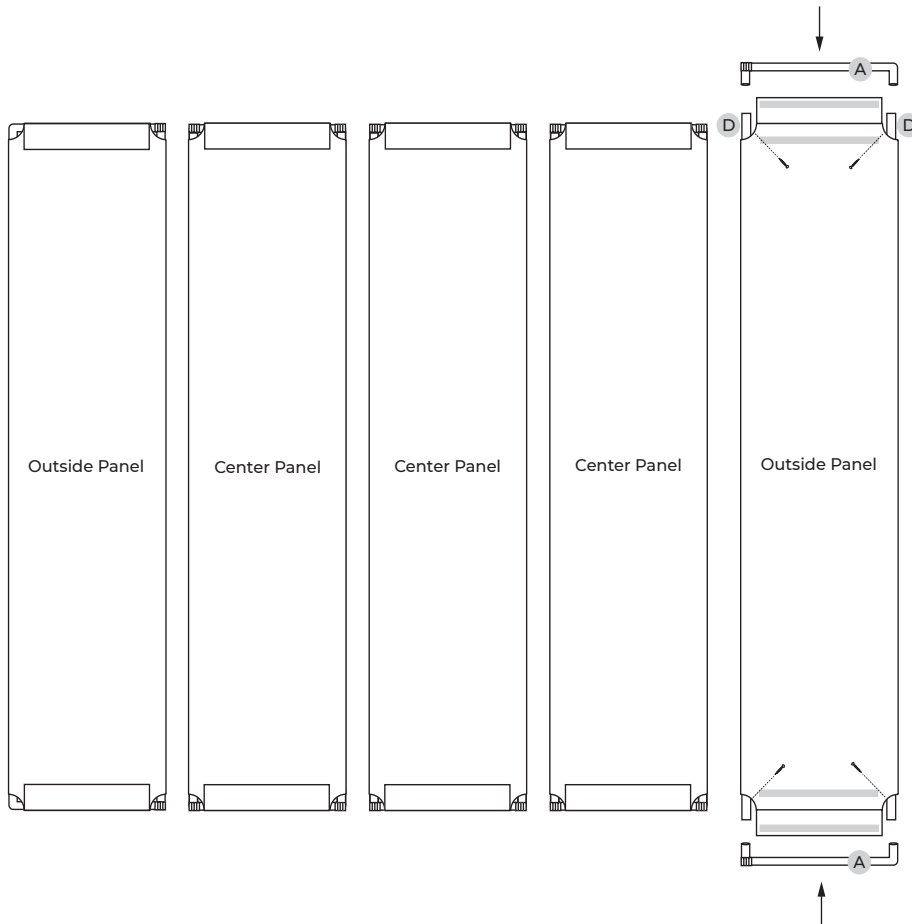
Layout first plain canvas panel, Velcro closure facing up. Insert 2 part **D**, one for each side. Connect the panel frame posts with 2 of part **A**, facing the two plain ends the same direction. Use 4 **Screws** on the inside of corners to secure the frame. Pull canvas ends taut and seal Velcro flaps to finish your outside panel.

3.



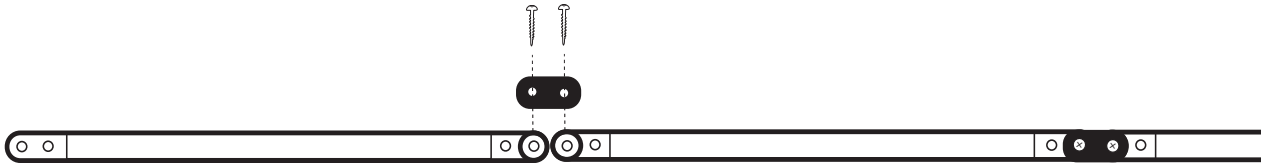
Next, lay out second plain canvas panel, Velcro closure facing up. Again insert 2 part **D**, one for each side. Connect the panel frame posts with 2 part **C** and use 4 **Screws** on the inside of corners to secure the frame. Pull ends taut and seal Velcro flaps to finish your center panel. If you have a 7-panel MP10 repeat this step two more times so you have a total of 3 center panels.

#### 4. Final Outside Panel



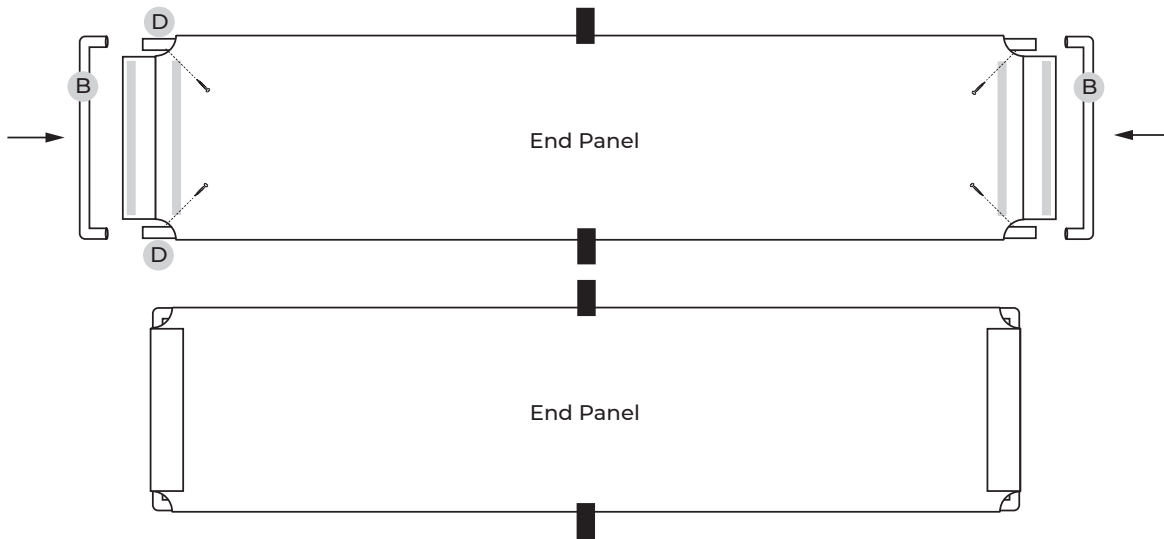
Layout final plain canvas panel, Velcro closure facing up. (2 panels with Velcro tabs are still set aside for end panels). Insert 2 part **D**, one for each side. Connect the panel frame posts with the two remaining part **A**, facing the two plain ends opposite the end assembled in Step 2. Use 4 more **Screws** on the inside of corners to secure the frame. Seal Velcro flaps. Layout panels in order of assembly as pictured for step 5.

## 5. Connecting the Panels



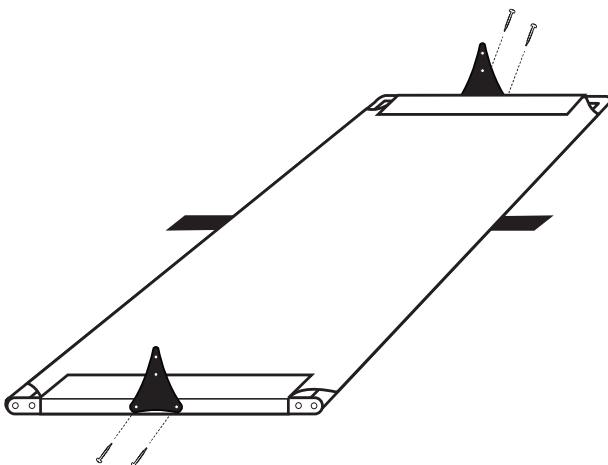
With panels laid out next to each other, all Velcro tabs facing up, use 1 **Hinge Plate** and 2 **Screws** for each connection point of the completed panels.

## 6. End Panels



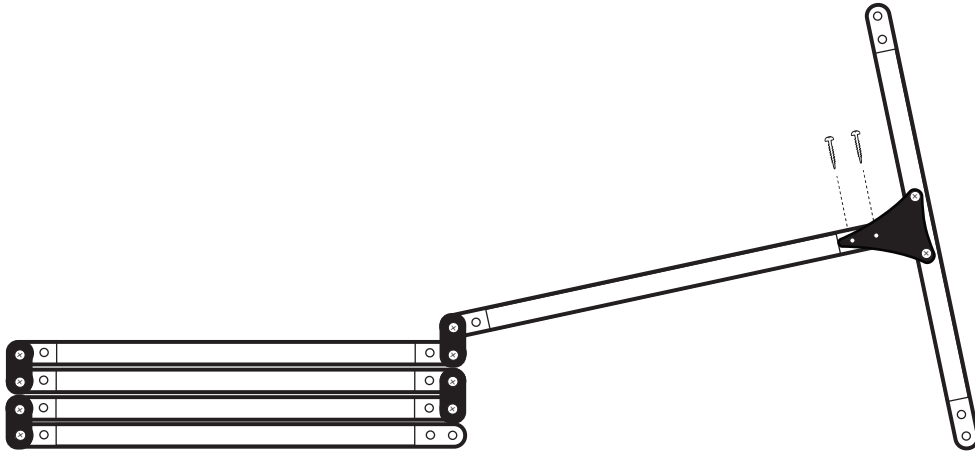
When all the panels are connected, top and bottom, for a total of 4 secured hinge plates (5-panel) or 8 secured hinge plates (7-panel), fold up screen like an accordion and set aside. Assemble the end panels with the reserved materials in Step 1. Layout each of the two remaining canvas panels, Velcro closures facing up. Insert 2 part **D**, connecting them with the 4 part **B** remaining. Secure frame with 4 **Screws**.

## 7. Attach End Panel Plates



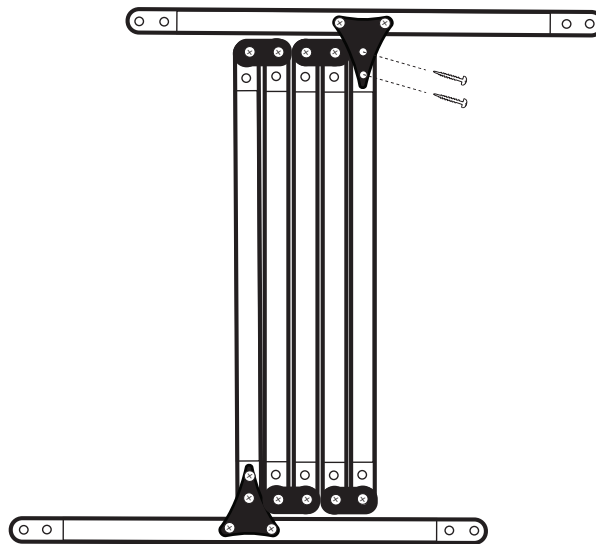
With both end panels flat on the ground, Velcro closures facing up, locate two screw holes in each of the End Panel Frame Caps below the canvas. Use 2 **Screws** per end panel frame cap to secure each of the 4 End Panel Plates, pointed end facing up.

## 8. Attach End Panels



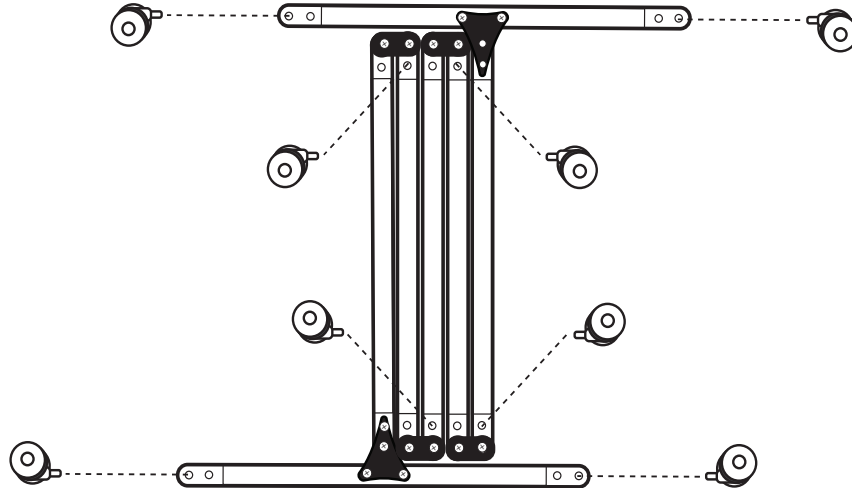
Unfold outside panel from top of panel stack and secure first end panel with 2 Screws through remaining holes of each End Panel Plate. (Velcro closures of end panel should be facing towards the bundle) Repeat to secure other end of end panel.

Carefully turn stack over so panels are positioned vertically on end, resting on the first attached end panel.



Set final end panel on top of vertical stack, end panel plate pointing down. Using 4 **Screws**, secure the final end panel, 2 screws for each End Panel Plate.

## 9. Casters



Tap in **Casters** (or alternately feet), 2 in each end panel, 4 in center panels. Only 1 caster per center panel is required, alternating sides of panels as you go.

Assembly complete! Carefully stand unit up and enjoy!  
We hope you enjoy your new MP10!

For questions regarding your MP10 please contact us at  
1-855-457-1473 or  
[customerservice@versare.com](mailto:customerservice@versare.com)