



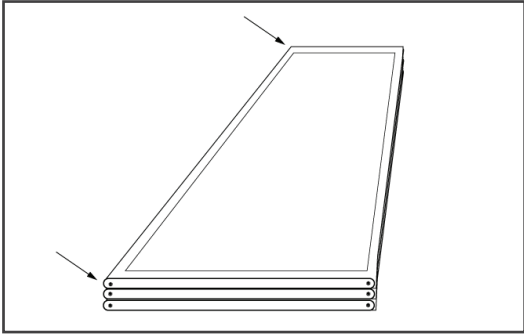
WALL-MOUNT BRACKET SET

ASSEMBLY INSTRUCTIONS

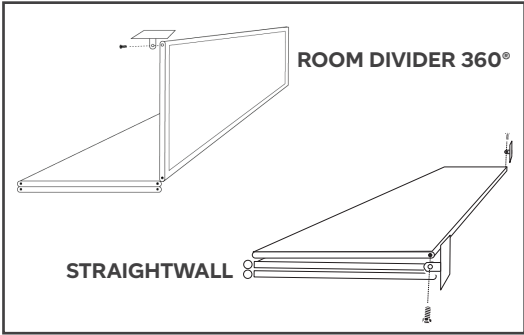
HARDWARE INCLUDED:	RECOMMENDED TOOLS:
• Mounting Plates (x2)	• Socket Wrench
	• Drill

Questions or concerns regarding parts?
Please contact us at 1.800.830.0210 or email us at customerservice@versare.com

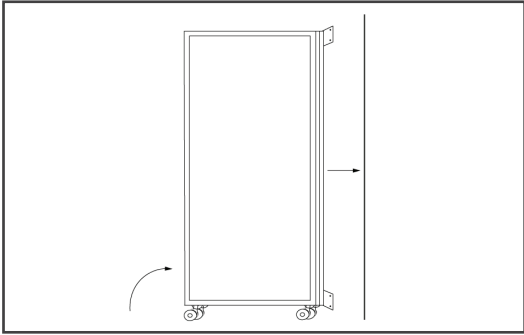
STEP 1.
Gently place partition on its side. Remove any bolts from top and bottom of the end of the panel.



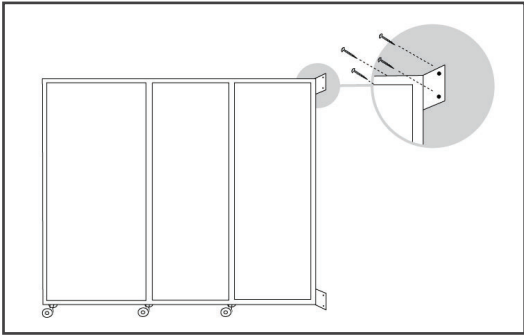
STEP 2.
Once bolts are removed, attach brackets to corners with the two existing bolts.



STEP 3.
Find and mark stud in wall to anchor wall plates to. Lock wheels and carefully lift panels into place next to wall.



STEP 4.
Use four screws per wall plate to attach to wall.



TO LEARN MORE:
Visit www.versare.com | Call 855.647.6909 | Email sales@versare.com