

# LOCK-N-BLOCK COLLAPSIBLE SECURITY GATE

## ASSEMBLY INSTRUCTIONS

### NOTE:

Customers must supply their own screws or anchors appropriate for wall mounting. Locking hardware is also not included; a customer-supplied padlock or locking mechanism is required if security is needed.

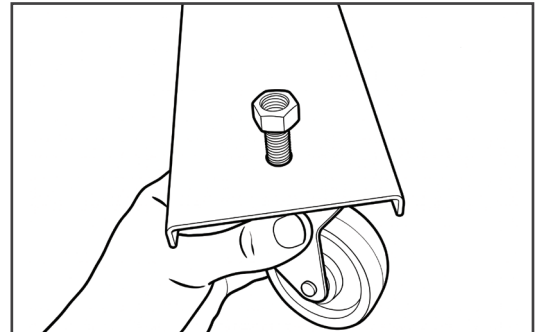
### STEP 1.

Attach a caster to the end of the caster base closest to the unit-to-unit lock bracket. Insert the caster stem and tighten securely.

### HARDWARE INCLUDED:

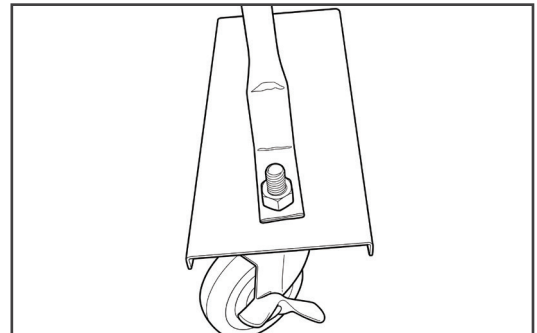
- Caster Bases w/ Unit-to-Unit Lock Bracket
- Caster Bases w/o Lock Bracket
- Caster Wheels
- Support Struts
- Expanding Gates
- Wall Mounts
- Bolt Sets with Matching Nuts
- Stabilizing Set Screws

Questions or concerns regarding parts?  
Please contact us at 1.800.830.0210 or email us at [customerservice@versare.com](mailto:customerservice@versare.com)



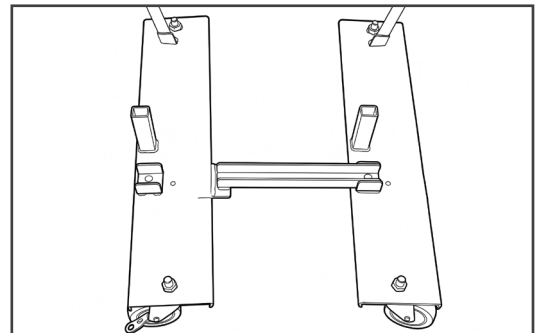
### STEP 2.

Attach the second caster to the opposite end. Install the support strut between the casters and fasten securely. Repeat for all caster bases.



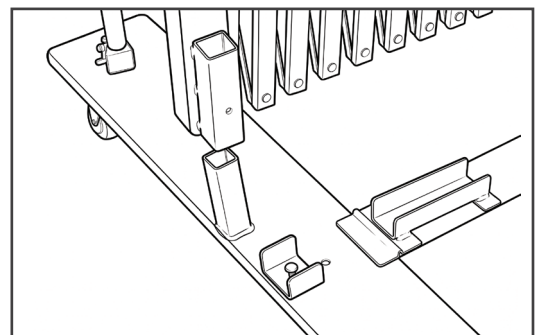
### STEP 3.

Connect two caster bases using the unit-to-unit lock connectors.



### STEP 4.

Place the expanding gate section onto the caster bases with the handle facing left. The handle and lock bracket should be on the same side of the gate. The support legs should be positioned on the opposite side.



## TO LEARN MORE:

Visit [www.versare.com](http://www.versare.com) | Call 855.647.6909 | Email [sales@versare.com](mailto:sales@versare.com)



# LOCK-N-BLOCK COLLAPSIBLE SECURITY GATE

## ASSEMBLY INSTRUCTIONS

### STEP 5.

Insert set screws. This completes the installation of one 6' gate section.

**IMPORTANT:** For installations longer than one 6' gate section, use a caster base with a unit-to-unit lock bracket between each connected gate section. The final end of the fence should always use a caster base without a lock bracket. Repeat this pattern until the desired fence length is achieved.

### FOR INSTALLATIONS WITH MULTIPLE GATE SECTIONS

### STEP 6.

To extend the fence, install the next gate section by connecting it to the previous section. Align the sections to ensure smooth expansion and secure all connections. Gate handles will appear every 6' section and should remain positioned on the left side.

### STEP 7.

Attach the support strut to the back (handle end) of the gate and fasten securely.

### STEP 8.

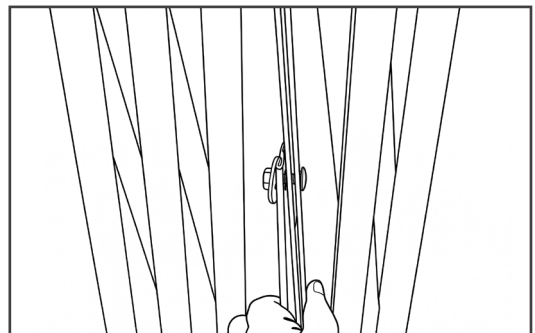
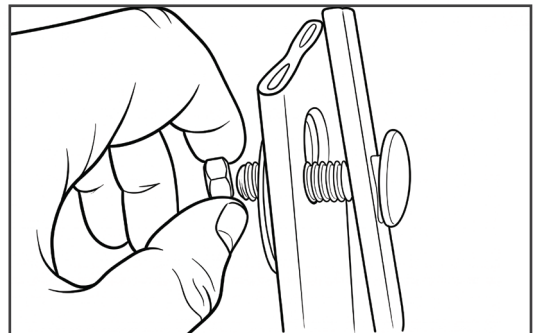
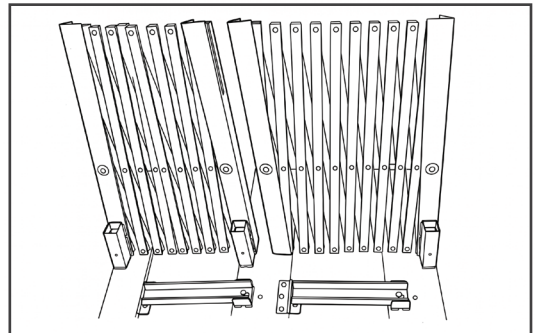
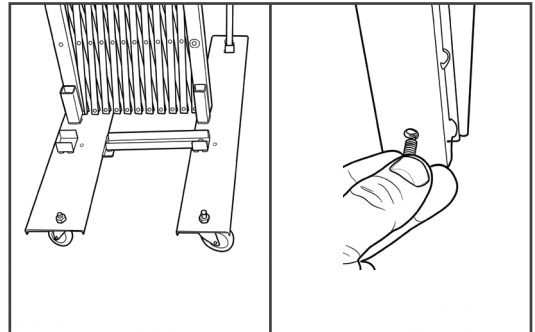
Install the center strut between connected gate sections. Insert and tighten the bolts at both the top and bottom connection points.

#### HARDWARE INCLUDED:

- Caster Bases w/ Unit-to-Unit Lock Bracket
- Caster Bases w/o Lock Bracket
- Caster Wheels
- Support Struts
- Expanding Gates
- Wall Mounts
- Bolt Sets with Matching Nuts
- Stabilizing Set Screws



Questions or concerns regarding parts?  
Please contact us at 1.800.830.0210 or email us at [customerservice@versare.com](mailto:customerservice@versare.com)



## TO LEARN MORE:

Visit [www.versare.com](http://www.versare.com) | Call 855.647.6909 | Email [sales@versare.com](mailto:sales@versare.com)



# LOCK-N-BLOCK COLLAPSIBLE SECURITY GATE

ASSEMBLY INSTRUCTIONS

## STEP 9.

Attach the final strut to the end section and ensure all struts are aligned.

## STEP 10.

Insert and tighten set screws at the bottom of each section to lock in place.

## REMINDER:

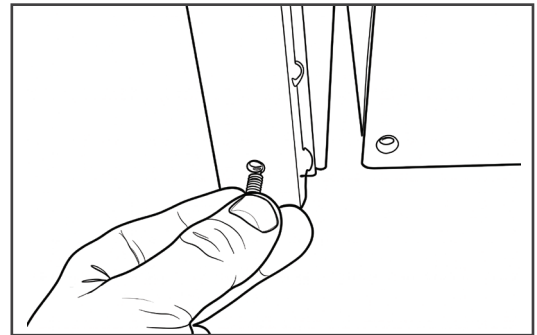
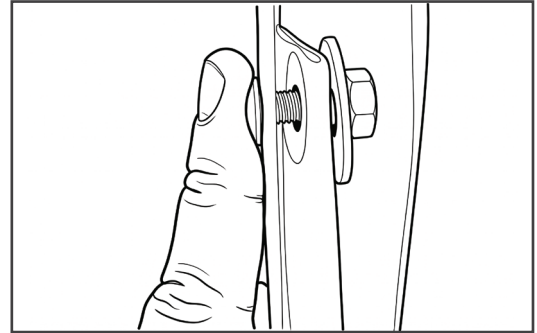
Every connected gate section requires a **unit-to-unit lock bracket** between sections. The final fence end must use a **caster base without a lock bracket**.

### HARDWARE INCLUDED:

- Caster Bases w/ Unit-to-Unit Lock Bracket
- Caster Bases w/o Lock Bracket
- Caster Wheels
- Support Struts
- Expanding Gates
- Wall Mounts
- Bolt Sets with Matching Nuts
- Stabilizing Set Screws



Questions or concerns regarding parts?  
Please contact us at 1.800.830.0210 or email us at [customerservice@versare.com](mailto:customerservice@versare.com)



**TO LEARN MORE:**

Visit [www.versare.com](http://www.versare.com) | Call 855.647.6909 | Email [sales@versare.com](mailto:sales@versare.com)