

Technical data

Column Slage	2
Max. Weight Capacity	220 lbs
Height Range	27.2"-46.5"(Without table top)
Width Range	43.3"-74.8"

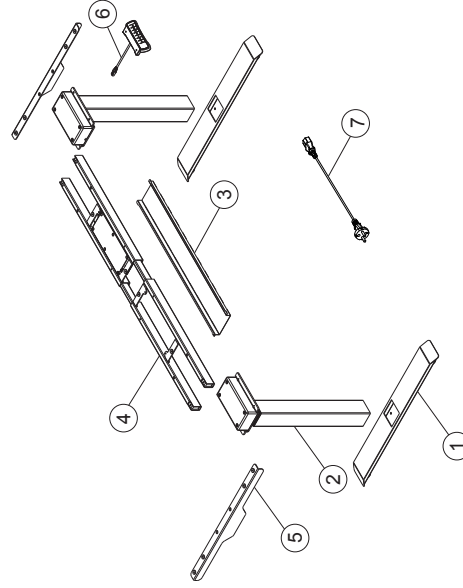
Accessory list

Attention: The drawings below are for guidance only and they may differ slightly from the product and fittings received. Please contact our customer service department should you have any queries.

No.	Image	Spec	Qty
A		M6	4
B		M6	4
C		M6	8
D		M6	12
E		S14.2	16
F		M6	16
G		Allen Key 0.16"x0.16"	1

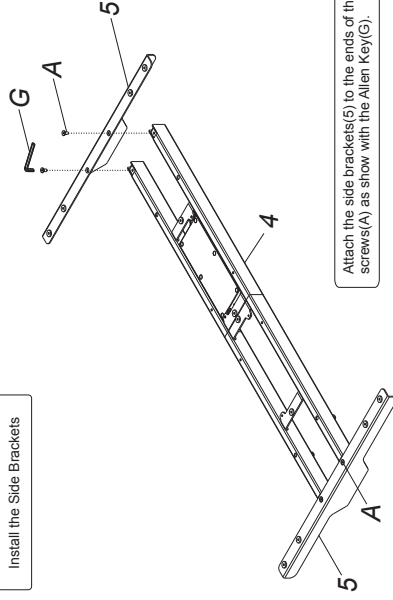
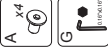
Component list

No.	Part	Qty	No.	Part	Qty
1	Feet	2	2	Lifting Column	2
No.	Part	Qty	No.	Part	Qty
3	Cable Management Tray	1	4	Supporting Beam (Control Box Included)	1
No.	Part	Qty	No.	Part	Qty
5	Side Bracket	2	6	Hand Switch (Option)	1
No.	Part	Qty	No.	Part	Qty
7	Power Plug	1			



STEP 1

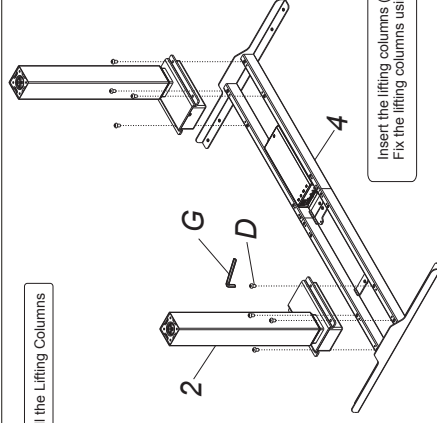
Install the Side Brackets



Attach the side brackets(5) to the ends of the supporting beam (4) using screws(A) as show with the Allen Key(G).

STEP 2

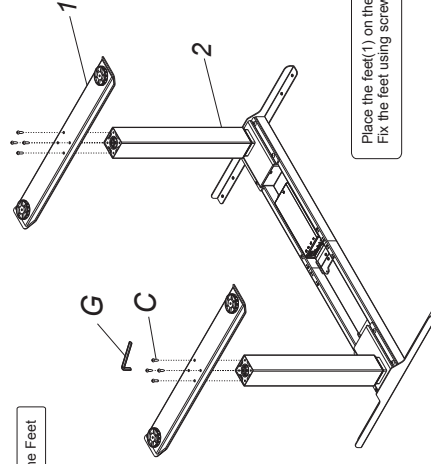
Install the Lifting Columns



Insert the lifting columns (2) into the ends of the supporting beam(4).
Fix the lifting columns using screws(D) with the Allen Key(G).

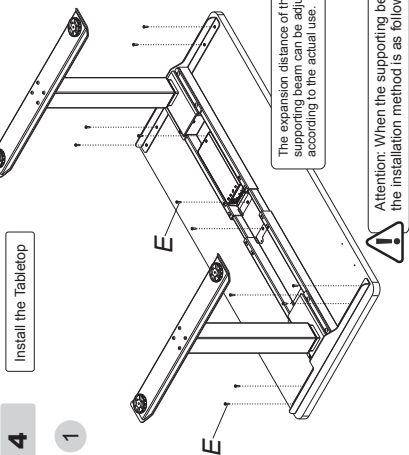
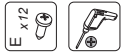
STEP 3

Install the Feet



Place the feet(1) on the bottom of the lifting column(2).
Fix the feet using screws(C) with Allen Key(G).

STEP 4

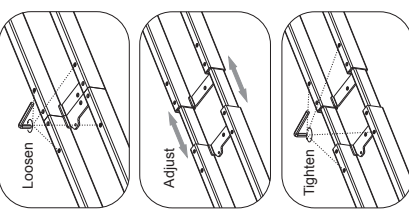


Install the Tabletop

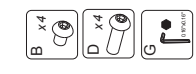
1

The expansion distance of the supporting beam can be adjusted according to the actual use.

Attention: When the supporting beam is greater than 67.7", the installation method is as follows: Method 2 in Step 6.

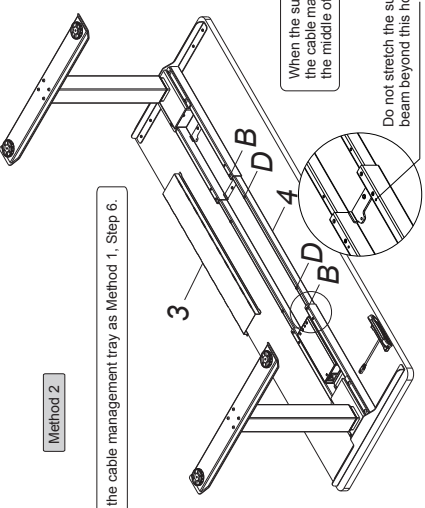


2



Method 2

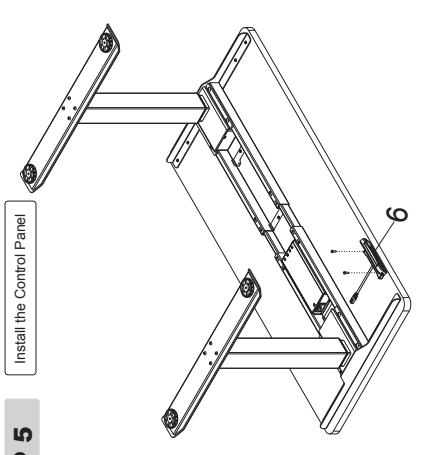
Install the cable management tray as Method 1, Step 6.



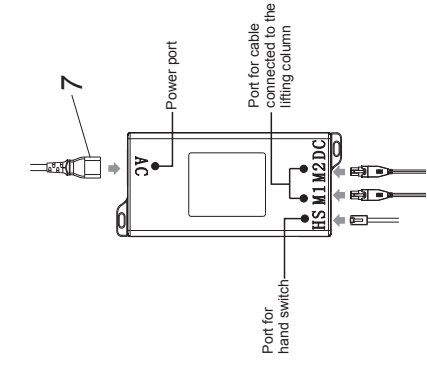
When the supporting beam stretches over 67.7", the cable management tray needs to be mounted on the middle of the supporting beam.

Do not stretch the support beam beyond this hole

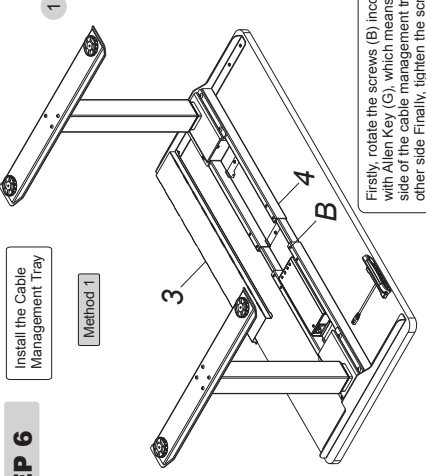
STEP 5



Install the Control Panel

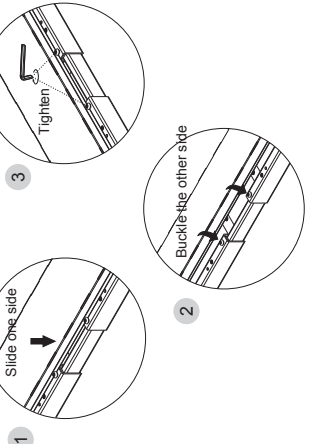


STEP 6



Install the Cable Management Tray

Method 1



Firstly, rotate the screws (B) incompletely into the supporting beam (4) with Allen Key (G), which means do not tighten them. Then, slide one side of the cable management tray (3) into the screws (B), then the other side. Finally, tighten the screws (B) with Allen Key (G).

Common fault treatment

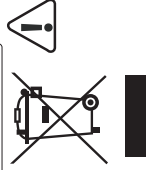
The following tips will help you detected and eliminate the common fault and error. If the fault you met is not listed below, please contact with your supplier. Only the manufacturer and professionals are capable for investigating and correcting those fault and error.

Fault phenomenon	Method
No response while long pressing the power button	1. Check if all the cables be connected well 2. Contact your supplier or dealer
No response while pressing up arrow/down arrow after supply connected with a power supply	1. Check if all the cables be connected well 2. Contact your supplier or dealer
Rising in a low speed	1. Check if overloaded, max loading: 220 lbs 2. Contact your supplier or dealer
The motor not move as instructed	1. Contact your supplier or dealer 2. Reconnection
Go down but not up	1. Check if overloaded, max loading: 220 lbs 2. Contact your supplier or dealer
Downward sliding	1. Check if overloaded, max loading: 220 lbs 2. Contact your supplier or dealer
Frequently Reposition	1. Check if overloaded, max loading: 220 lbs 2. Contact your supplier or dealer
Overwork (Only cycle: Max 2min on/5min OFF)	1. Rest after suspend for 15mins while connecting with power. 2. Contact your supplier or dealer.
Not enough up&down height	1. Press "M" and "N" together for 3 seconds or more, after hearing continuous beeping for twice. 2. Contact your supplier or dealer

Attention

- Power supply: AC100V-240V, 50/60Hz
- Service Environment: 0-40°C
- Unplug the power plug before cleaning, wipe the dust on surface with slight wet dishcloth when cleaning, be careful not to let the drops into the internal parts, not loose the connector.
- The electric box contains electronic components, metals, plastics, wires etc., so dispose of it in accordance with each country's environmental legislation, not the general household waste.
- Check carefully to ensure correct and complete assembly before using.
- Children are forbidden to play on the product because of unforeseen action when playing, so any dangerous consequences caused by this improper action will not be on have any effect on the use of the equipment.
- Slight noise caused by the V-ribbed belt or brake system due to structure will not have any effect on the use of the equipment.
- Corrosive or abrasive materials are forbidden to clean the equipment. Must ensure that the cleaner used will not pollute the environment.
- This appliance can be used by children aged from 8 years and above and persons with reduced physical, sensory or mental capabilities or lack of experience and knowledge if they have been given supervision or instruction concerning use of the appliance and understand the hazards involved. Children shall not play with the appliance.
- Cleaning and user maintenance shall not be made by children without supervision.
- If the supply cord is damaged, it must be replaced by the manufacturer, its service agent or a similarly qualified person in order to avoid a hazard.
- Please make sure there is no hazard sources in your operating environment. e.g., do not litter the tools around. Always be careful to treat the packaging materials in order to avoid any possible danger, e.g. plastic bag may lead to choking hazard to children.
- Keep the original package of the equipment if necessary in case of the future use in transportation.

Waste disposal



This marking indicates that this product should not be disposed with other household wastes. To prevent possible harm to the environment or human health from uncontrolled waste disposal, recycle it responsibly to promote the sustainable reuse of material resources. To return your used device, please use the return and collection systems or contact the retailer where the product was purchased. They can take this product for environmental safe recycling.

Versare Solutions, LLC
3236 California St. NE
Minneapolis, MN 55418
1-855-457-1473
customerservice@versare.com