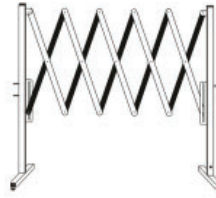


# Block-N-Roll

## Assembly Instructions



Package Includes:

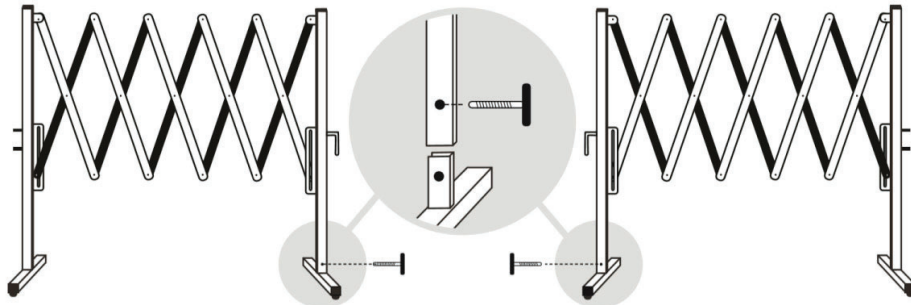


2x



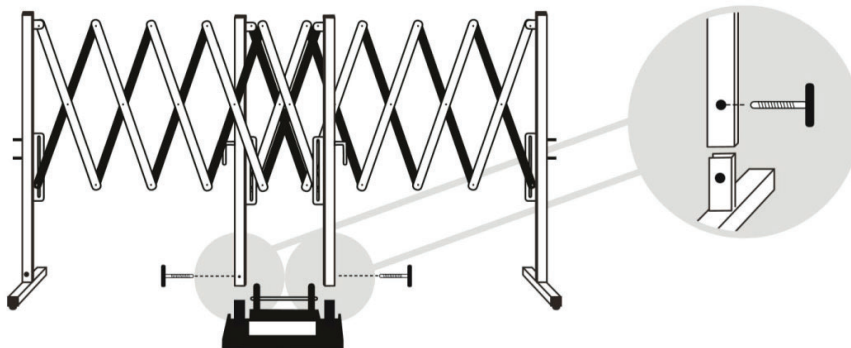
1x

1.



Unscrew and remove a foot from each barricade.

2.



Insert legs and re-screw into wheeled base.



Assembly complete!  
We hope you enjoy your new Block-N-Roll!

For questions regarding your Block-N-Roll please contact us at 1-855-457-1473 or [customerservice@versare.com](mailto:customerservice@versare.com)



**VERSARE**

Versare Solutions, LLC  
3236 California St. NE • Minneapolis, MN 55418  
1-855-457-1473 • [customerservice@versare.com](mailto:customerservice@versare.com)

100023 REV A